

RELIANCE[®]

CONTROLS

SINCE
1909



TIME SWITCHES
IN-WALL TIMERS
PHOTO CONTROLS
OCCUPANCY SENSORS
CIRCUIT TESTERS AND MONITORS

ELECTRICAL INNOVATION SINCE 1909



RELIANCE AUTOMATIC LIGHTING CO.

Benjamin Franklin Flegel founded Reliance Automatic Lighting Company in 1909 with a passion for inventing innovative, highly engineered, quality products that would make life easier for a rapidly growing group of U.S. consumers.

His first product, a superior mechanical lighting time control, quickly gained acceptance for its quality, durability and accuracy. Reliance's reputation for excellence in engineering and manufacturing fueled the company's growth over the succeeding 110 years.

The present-day Reliance Controls Corporation now offers over 700 products in 14 categories. Reliance Controls is still based in Racine, Wisconsin and remains family owned and operated with pride by the fourth generation of the Flegel family.

This catalog shows our offering of:

- Mechanical Time Switches
- In-Wall Timers
- Photo Controls
- Occupancy Sensors
- Circuit Testers and Home Monitors



All products in this catalog are listed by Underwriters Laboratories Inc.

RelianceControls.com

TABLE OF CONTENTS

- MECHANICAL TIME SWITCHES 5**
 - Metal Enclosures - Indoor9
 - Polycarbonate Enclosures- Indoor/Outdoor.9
 - Metal Enclosures Indoor/Outdoor Type9
 - Water Heater Timer- Indoor 17
 - Replacement Mechanisms 18
 - Time Switch Accessories. 20
- IN-WALL TIMERS.21**
 - Springwound Countdown25
 - Electronic Countdown.26
 - Programmable 7-Day27
 - Programmable Astronomic28
- PHOTO CONTROLS. 29**
 - Thermal 31
 - Button and Wall Mount 31
 - Fixed Position Stem Mount32
 - Stem and Swivel Mount.33
 - Locking Mount34
 - Electronic35
 - Button and Wall-Mount35
 - Fixed Stem Mount35
 - Stem and Swivel Mount.35
 - Locking Mount36
 - Locking-Mount Accessories36
 - Photo Controls Specifications.37
- OCCUPANCY / VACANCY SENSORS 39**
 - In-Wall Occupancy Sensors 41
 - Ceiling-Mount Occupancy Sensors42
- TESTERS & HOME MONITORING 43**
 - Circuit Testers45
 - Home Monitoring46
- CROSS REFERENCE 47**

Using our Catalog

PRODUCT CATEGORY
COLOR CODED
PAGE TAB

MODEL/SERIES
COLOR CODED
PAGE TAB

PRODUCT PHOTOS

FEATURES,
DESCRIPTIONS &
APPLICATIONS

HOW TO VIDEOS
AVAILABLE ONLINE



ELECTRICAL INNOVATION SINCE 1989

120 VAC SPST

INDUSTRIAL GRADE  

MODEL NUMBER 601 METAL - Indoor	MODEL NUMBER 601P NON-METALLIC	MODEL NUMBER 601R METAL - Indoor/Outdoor
 <p>NEMA 1 RATED</p> <p> </p>	 <p>NEMA 3R RATED</p> <p> </p>	 <p>NEMA 3R RATED</p> <p> </p>

FEATURES

- Industrial grade high-impact cabinets
- All models have reversible door hinges for tight spaces
- NEW low-profile housings- lockable
- Large 3 1/2" dials rotate clockwise for intuitive time setting
- Up to 18 ON/OFF operations per day
- Large finger-set trippers for no-tools operation
- Fully enclosed long life timing motors
- 600P and 600R-series models have locking swing down wiring compartment cover with extra tripper storage
- 600-series models have sturdy plastic screw-down wiring compartment covers
- 600P-series has patented POP-FAST hole knockouts - no tools required

GREAT FOR CONTROLLING

Pumps and compressors	Commercial lighting and signs
Pools and spas	Electric motors
Heating and air conditioning	

FOR USE WITH THESE LIGHTING TYPES

 **INSTALLATION VIDEO AT**
RELIANCECONTROLS.COM



RATINGS

Switch SPST

Timing Motor 120 VAC 60 Hz, 4 Watts

Contact Voltage 120-240 VAC, 50/60 Hz

Resistive, Inductive, Tungsten 40A, 120-240 VAC

Electronic Ballast / LED 16A, 120 VAC, BA, 240 VAC

Motor Load 2 HP 120 VAC, 5HP 240 VAC

Operating Temperature -40°F to 130°F (-40°C to 54°C)

Pilot Duty 1000 VA, 120-240 VAC

Enclosure NEMA 1 600P and 600R-Series
NEMA 3R / Lockable Hasp
600P and 600R-Series
H: 7 3/4" x W: 4 5/8" x D: 2 7/8"
600-Series
LEAVE OPEN AND MARK

Enclosure Dimensions

Knockouts Combination 1/2" - 3/4" nominal,
one on back and on each side
and two on bottom (600P-series
has reusable knockouts)

Wire Size #8 - #14 AWG

Warranty 2 Years

WIRING DIAGRAM



MODEL NUMBERS

PRODUCT MATERIAL
& LISTINGS

RATINGS &
WIRING DIAGRAMS

Icon Legend

	Product is made from metal		Product is industrial grade
	Product is made from polycarbonate		Product has installation video online
	Product is made from Powder Coated Steel		Snap-In timer mechanism
NEMA 3R Rated	Product is weather proof / NEMA 3R Rated		Product has full clock dial numbering
	Product is made from a high-impact UV-Coated polycarbonate		Lockable tamper-resistant enclosure
	Product is LED Rated		Hinged locking wiring compartment cover
	Product is Halogen Rated		Product has large head easy-to-grip tripper screws
	Product is HID Rated		Product has left or right hinging options
	Product is Incandescent Rated		Saves Energy
	Product is Fluorescent Rated		Dusk To Dawn Light Control
	Single or Multigang		

3

Using our Website

Each of our catalogs are available Online at Reliancecontrols.com in easy-to-navigate formats.

Scan the QR code



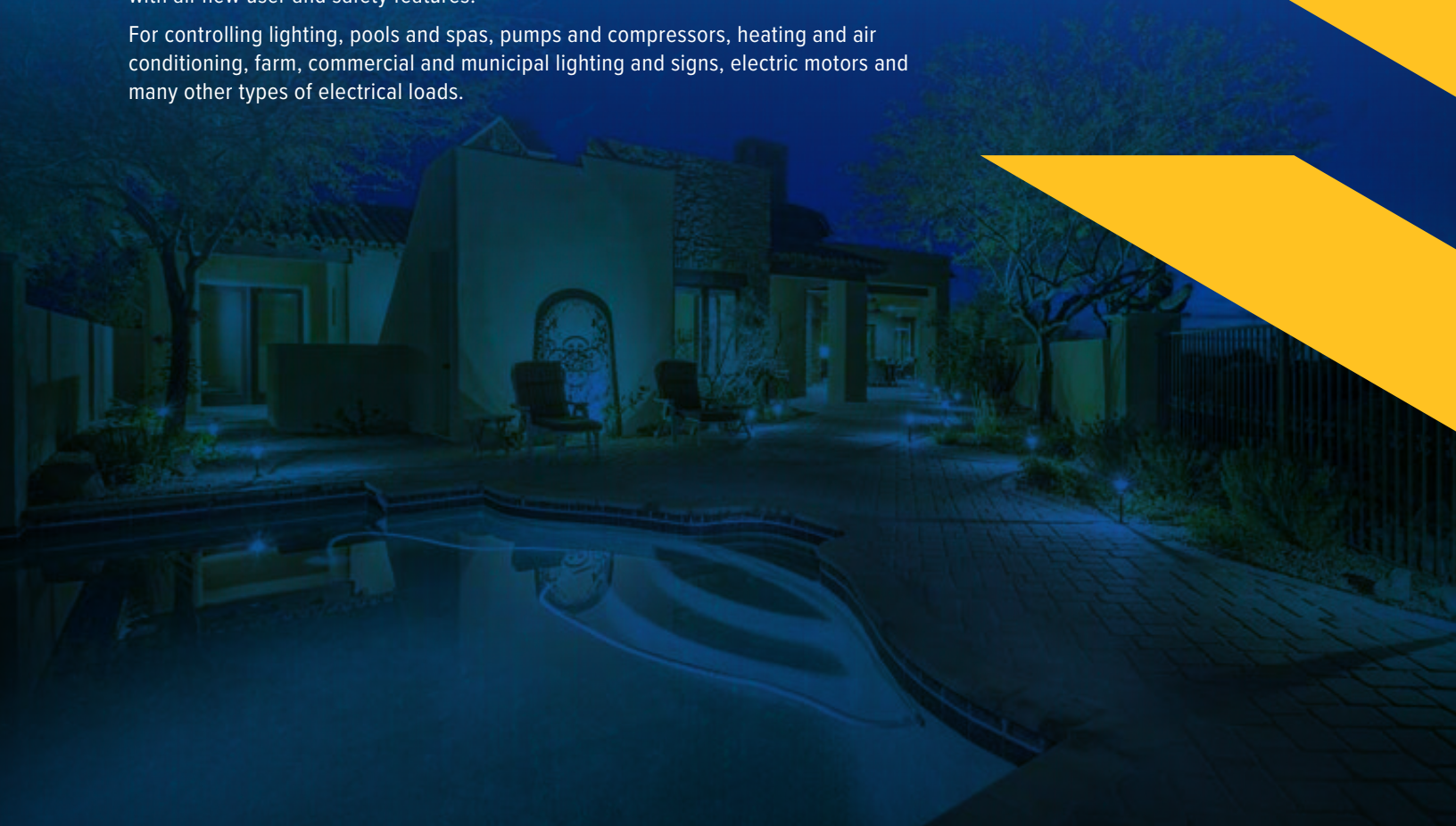
or visit RelianceControls.com



TIME SWITCHES

Based on over 100 years of manufacturing the most innovative products of its era, Reliance Controls offers its 2024 version of a full-line of mechanical time switches packed with all-new user and safety features:

For controlling lighting, pools and spas, pumps and compressors, heating and air conditioning, farm, commercial and municipal lighting and signs, electric motors and many other types of electrical loads.





CAUTION: RISK OF ELECTRIC SHOCK
CAUTION: Before wiring and connecting the
time switch and the equipment, the power must be
off at the main panel. Turn off the main power
switch at the main panel.

INDUSTRIAL STRENGTH
POLYCARBONATE HOUSING

LARGER 3.5" HIGH-VISIBILITY BLUE DIAL
WITH FULL CLOCK DIAL NUMBERING

HINGED
LOCKING WIRING
COMPARTMENT
COVER ON
600P AND
600R-SERIES

LARGE HEAD EASY-TO-GRIP
TRIPPER SCREWS

LOW PROFILE CABINET

INDOOR/
OUTDOOR
POLYCARBONATE
MODELS FEATURE
POP-FAST
REPLACEABLE
KNOCKOUT
HOLES / NO
TOOLS REQUIRED

LEFT OR RIGHT
HINGING OPTIONS FOR
BEST-FIT INSTALLATION
IN TIGHT PLACES

2 EXTRA TRIPPERS
WITH HANDY STORAGE
ON 600P AND
600R-SERIES

LOCKABLE
TAMPER-RESISTANT
ENCLOSURE

COLORFUL,
INFORMATIONAL
CARTON



NEMA 1
Rated

NEMA 3R
Rated



24-HOUR MECHANICAL TIME SWITCHES

Product Features



POLYCARBONATE CABINET HAS POP-FAST KNOCKOUT HOLES- NO TOOLS REQUIRED



REVERSIBLE DOOR HINGES FOR TIGHT SPACES



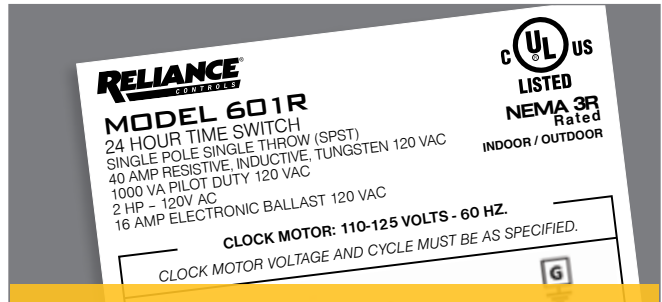
SWING DOWN WIRING COMPARTMENT COVER FOR ADDED SAFETY



EXTRA TRIPPER STORAGE



CLEARLY MARKED WIRING TERMINALS



INSIDE COVER INSTRUCTION LABELS



CIRCUIT ID LABELS FOR NEAT, FINISHED LABELING



LOCKABLE DOORS

120 VAC SPST

40
AMP

MODEL NUMBER

601 INDOOR



NEMA 1



MODEL NUMBER

601P INDOOR/OUTDOOR



NEMA 3R



MODEL NUMBER

601R INDOOR/OUTDOOR



NEMA 3R



FEATURES

- Industrial grade high-impact cabinets
- All models have reversible door hinges for tight spaces
- NEW low-profile housings- lockable
- Large 3 1/2" dials rotate clockwise for intuitive time setting
- Up to 16 ON/OFF operations per day
- Large finger-set trippers for no-tools operation
- Fully enclosed long life timing motors
- 600P and 600R-series models have locking swing down wiring compartment cover with extra tripper storage
- 600-series models have sturdy plastic screw-down wiring compartment covers
- 600P-series has patented POP-FAST hole knockouts - no tools required

GREAT FOR CONTROLLING

Pumps and compressors	Commercial lighting and signs
Pools and spas	Electric motors
Heating and air conditioning	

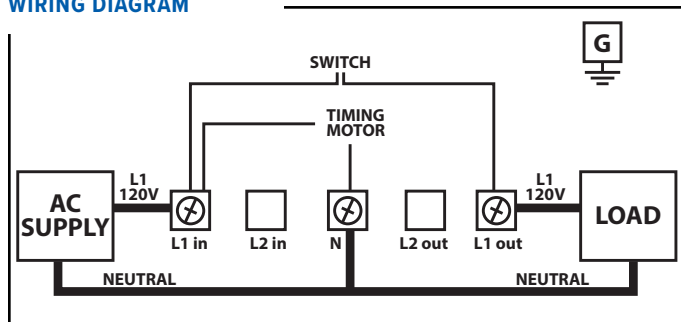
FOR USE WITH THESE LIGHTING TYPES



RATINGS

Switch.....	SPST
Timing Motor.....	120 VAC 60 Hz, 4 Watts
Contact Voltage.....	120-240 VAC, 60Hz
Resistive, Inductive, Tungsten.....	40A, 120-240 VAC
Electronic Ballast / LED.....	16A 120 VAC, 8A 240 VAC
Motor Load.....	2 HP 120 VAC, 5HP 240 VAC
Operating Temperature.....	-40°F to 130°F (-40°C to 54°C)
Pilot Duty.....	1000 VA, 120-240 VAC
Enclosure.....	600-Series NEMA 1 600P and 600R-Series NEMA 3R / Lockable Hasp
Enclosure Dimensions.....	600P-Series H. 8 5/8" x W. 6 3/8" x D. 3 1/8" 600R-Series H. 9" x W. 5 3/8" x D. 3" 600-Series H. 7 7/8" x W. 4 1/2" x D. 2 3/4"
Knockouts.....	Combination 1/2" - 3/4" nominal, one on back and on each side and two on bottom (600P-series has reusable knockouts)
Wire Size.....	#8 - #14 AWG
Warranty.....	2 Years

WIRING DIAGRAM



24-HOUR MECHANICAL TIME SWITCHES

208-277 VAC SPST **40 AMP**

MODEL NUMBER
602 INDOOR

MODEL NUMBER
602P INDOOR/OUTDOOR

MODEL NUMBER
602R INDOOR/OUTDOOR



NEMA 1



NEMA 3R



NEMA 3R



FEATURES

- Industrial grade high-impact cabinets
- All models have reversible door hinges for tight spaces
- NEW low-profile housings- lockable
- Large 3 1/2" dials rotate clockwise for intuitive time setting
- Up to 16 ON/OFF operations per day
- Large finger-set trippers for no-tools operation
- Fully enclosed long life timing motors
- 600P and 600R-series models have locking swing down wiring compartment cover with extra tripper storage
- 600-series models have sturdy plastic screw-down wiring compartment covers
- 600P-series has patented POP-FAST hole knockouts - no tools required

GREAT FOR CONTROLLING

- | | |
|------------------------------|-------------------------------|
| Pumps and compressors | Commercial lighting and signs |
| Pools and spas | Electric motors |
| Heating and air conditioning | |

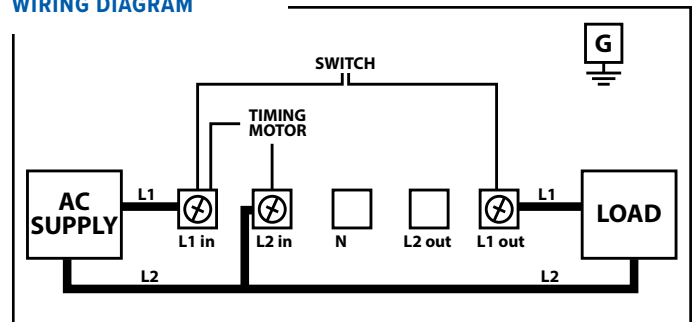
RATINGS

Switch.....	SPST
Timing Motor.....	208-277 VAC 60 Hz, 4 Watts
Contact Voltage.....	120-277 VAC, 60Hz
Resistive, Inductive, Tungsten.....	40A, 120-240 VAC
Electronic Ballast / LED.....	16A 120 VAC, 8A 240 VAC
Motor Load.....	2 HP 120 VAC 5HP 240 VAC
Operating Temperature.....	-40°F to 130°F (-40°C to 54°C)
Pilot Duty.....	1000 VA, 120-240 VAC
Enclosure.....	600-Series NEMA 1 600P and 600R-Series NEMA 3R / Lockable Hasp
Enclosure Dimensions.....	600P-Series H. 8 5/8" x W. 6 3/8" x D. 3 1/8" 600R-Series H. 9" x W. 5 3/8" x D. 3" 600-Series H. 7 7/8" x W. 4 1/2" x D. 2 3/4"
Knockouts.....	Combination 1/2" - 3/4" nominal, one on back and on each side and two on bottom (602P has reusable knockouts)
Wire Size.....	#8 - #14 AWG
Warranty.....	2 Years

FOR USE WITH THESE LIGHTING TYPES



WIRING DIAGRAM



120 VAC DPST

40 AMP

MODEL NUMBER
603 INDOOR



NEMA 1



MODEL NUMBER
603P INDOOR / OUTDOOR



NEMA 3R



MODEL NUMBER
603R INDOOR / OUTDOOR



NEMA 3R



FEATURES

- Industrial grade high-impact cabinets
- All models have reversible door hinges for tight spaces
- NEW low-profile housings- lockable
- Large 3 1/2" dials rotate clockwise for intuitive time setting
- Up to 16 ON/OFF operations per day
- Large finger-set trippers for no-tools operation
- Fully enclosed long life timing motors
- 600P and 600R-series models have locking swing down wiring compartment cover with extra tripper storage
- 600-series models have sturdy plastic screw-down wiring compartment covers
- 600P-series has patented POP-FAST hole knockouts - no tools required

GREAT FOR CONTROLLING

Pumps and compressors	Commercial lighting and signs
Pools and spas	Electric motors
Heating and air conditioning	

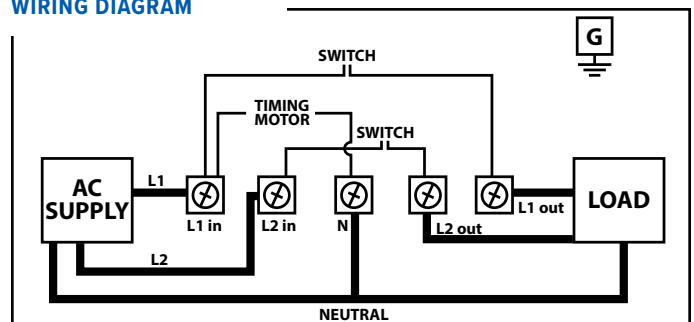
FOR USE WITH THESE LIGHTING TYPES



RATINGS

Switch.....	DPST
Timing Motor.....	120 VAC 60 Hz, 4 Watts
Contact Voltage.....	120-240 VAC, 60Hz
Resistive, Inductive, Tungsten.....	40A, 120-240 VAC
Electronic Ballast / LED.....	16A 120 VAC, 8A 240 VAC
Motor Load.....	2 HP 120 VAC, 5HP 240 VAC
Operating Temperature.....	-40°F to 130°F (-40°C to 54°C)
Pilot Duty.....	1000 VA, 120-240 VAC
Enclosure.....	600-Series NEMA 1 600P and 600R-Series NEMA 3R / Lockable Hasp
Enclosure Dimensions.....	600P-Series H. 8 5/8" x W. 6 3/8" x D. 3 1/8" 600R-Series H. 9" x W. 5 3/8" x D. 3" 600-Series H. 7 7/8" x W. 4 1/2" x D. 2 3/4"
Knockouts.....	Combination 1/2" - 3/4" nominal, one on back and on each side and two on bottom (600P-series has reusable knockouts)
Wire Size.....	#8 - #14 AWG
Warranty.....	2 Years

WIRING DIAGRAM



24-HOUR MECHANICAL TIME SWITCHES

208-277 VAC DPST

40 AMP

MODEL NUMBER
604 INDOOR

MODEL NUMBER
604P INDOOR/OUTDOOR

MODEL NUMBER
604R INDOOR/OUTDOOR



NEMA 1



NEMA 3R



NEMA 3R



FEATURES

- Industrial grade high-impact cabinets
- All models have reversible door hinges for tight spaces
- NEW low-profile housings- lockable
- Large 3 1/2" dials rotate clockwise for intuitive time setting
- Up to 16 ON/OFF operations per day
- Large finger-set trippers for no-tools operation
- Fully enclosed long life timing motors
- 600P and 600R-series models have locking swing down wiring compartment cover with extra tripper storage
- 600-series models have sturdy plastic screw-down wiring compartment covers
- 600P-series has patented POP-FAST hole knockouts - no tools required

GREAT FOR CONTROLLING

- | | |
|------------------------------|-------------------------------|
| Pumps and compressors | Commercial lighting and signs |
| Pools and spas | Electric motors |
| Heating and air conditioning | |

FOR USE WITH THESE LIGHTING TYPES



RATINGS

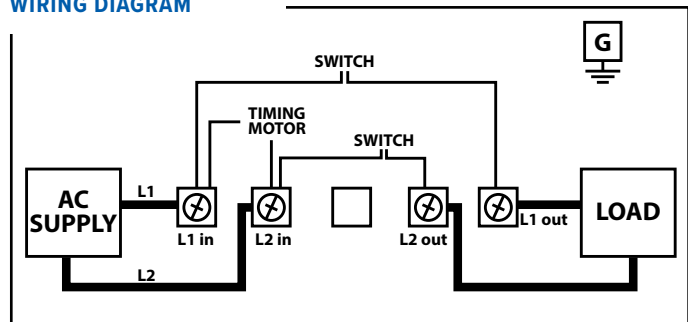
Switch.....	DPST
Timing Motor.....	208-277 VAC 60 Hz, 4 Watts
Contact Voltage.....	120-277 VAC, 60Hz
Resistive, Inductive, Tungsten.....	40A, 120-240 VAC
Electronic Ballast / LED.....	16A 120 VAC, 8A 240 VAC
Motor Load.....	2 HP 120 VAC, 5HP 240 VAC
Operating Temperature.....	-40°F to 130°F (-40°C to 54°C)
Pilot Duty.....	1000 VA, 120-240 VAC
Enclosure.....	600-Series NEMA 1 600P and 600R-Series NEMA 3R / Lockable Hasp

Enclosure Dimensions.....	600P-Series H. 8 5/8" x W. 6 3/8" x D. 3 1/8"
	600R-Series H. 9" x W. 5 3/8" x D. 3"
	600-Series H. 7 7/8" x W. 4 1/2" x D. 2 3/4"

Knockouts..... Combination 1/2" - 3/4" nominal, one on back and on each side and two on bottom (600P-series has reusable knockouts)

Wire Size..... #8 - #14 AWG
Warranty..... 2 Years

WIRING DIAGRAM



120 VAC SPDT
1NO/1NC

40
AMP

605 / 605P MECHANICAL TIMERS

MODEL NUMBER
605 INDOOR



NEMA 1



MODEL NUMBER
605P INDOOR/OUTDOOR



NEMA 3R



FEATURES

- Industrial grade high-impact cabinets
- All models have reversible door hinges for tight spaces
- NEW low-profile housings- lockable
- Large 3 1/2" dials rotate clockwise for intuitive time setting
- Up to 16 ON/OFF operations per day
- Large finger-set trippers for no-tools operation
- Fully enclosed long life timing motors
- 600P-series models have locking swing down wiring compartment cover with extra tripper storage
- 600-series models have sturdy plastic screw-down wiring compartment covers
- 600P-series has patented POP-FAST hole knockouts- no tools required

GREAT FOR CONTROLLING

- | | |
|------------------------------|-------------------------------|
| Pumps and compressors | Commercial lighting and signs |
| Pools and spas | Electric motors |
| Heating and air conditioning | |

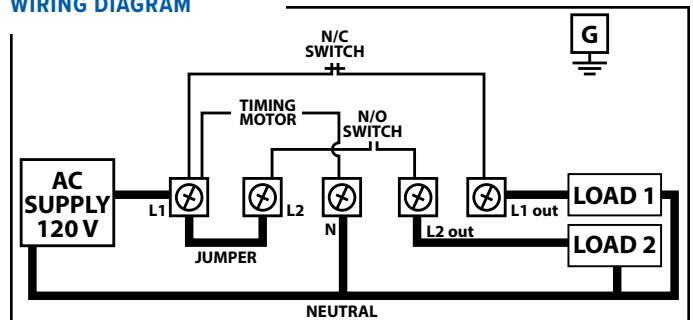
FOR USE WITH THESE LIGHTING TYPES



RATINGS

Switch.....	SPST 1 NO / 1 NC
Timing Motor.....	120VAC 60 Hz, 4 Watts
Contact Voltage.....	120-240 VAC, 60Hz
Resistive, Inductive, Tungsten.....	40A, 120-240 VAC
Electronic Ballast / LED.....	16A 120 VAC, 8A 240 VAC
Motor Load.....	2 HP 120 VAC, 5HP 240 VAC
Operating Temperature.....	-40°F to 130°F (-40°C to 54°C)
Pilot Duty.....	1000 VA, 120-240 VAC
Enclosure.....	600-Series NEMA 1 600P and 600R-Series NEMA 3R / Lockable Hasp
Enclosure Dimensions.....	600P-Series H. 8 3/4" x W. 6 1/4" x D. 3 1/8" 600-Series H. 7 7/8" x W. 4 1/2" x D. 2 3/4"
Knockouts.....	Combination 1/2" - 3/4" nominal, one on back and on each side and two on bottom (600P-series has reusable knockouts)
Wire Size.....	#8 - #14 AWG
Warranty.....	2 Years

WIRING DIAGRAM



24-HOUR MECHANICAL TIME SWITCHES

208-277 VAC SPDT 1NO/1NC 40 AMP

MODEL NUMBER
606 INDOOR



NEMA 1



MODEL NUMBER
606P INDOOR / OUTDOOR



NEMA 3R



FEATURES

- Industrial grade high-impact cabinets
- All models have reversible door hinges for tight spaces
- NEW low-profile housings- lockable
- Large 3 1/2" dials rotate clockwise for intuitive time setting
- Up to 16 ON/OFF operations per day
- Large finger-set trippers for no-tools operation
- Fully enclosed long life timing motors
- 600P-series models have locking swing down wiring compartment cover with extra tripper storage
- 600-series models have sturdy plastic screw-down wiring compartment covers
- 600P-series has patented POP-FAST hole knockouts- no tools required

GREAT FOR CONTROLLING

Pumps and compressors	Commercial lighting and signs
Pools and spas	Electric motors
Heating and air conditioning	

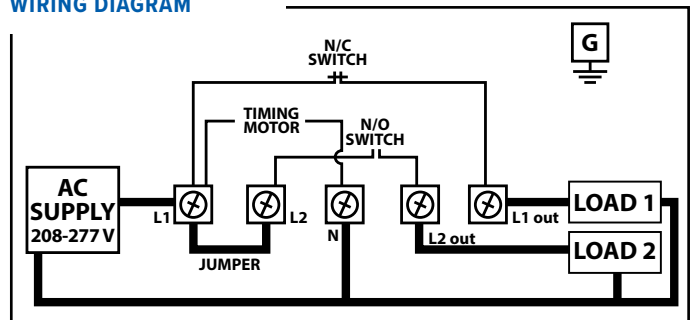
RATINGS

Switch	SPDT 1 NO / 1 NC
Timing Motor	208-277 VAC 60 Hz, 4 Watts
Contact Voltage	120-277 VAC, 60Hz
Resistive, Inductive, Tungsten	40A, 120-240 VAC
Electronic Ballast / LED	16A 120 VAC, 8A 240 VAC
Motor Load	2 HP 120 VAC, 5HP 240 VAC
Operating Temperature	-40°F to 130°F (-40°C to 54°C)
Pilot Duty	1000 VA, 120-240 VAC
Enclosure	600-Series NEMA 1 600P and 600R-Series NEMA 3R / Lockable Hasp
Enclosure Dimensions	600P-Series H. 8 3/4" x W. 6 1/4" x D. 3 1/8" 600-Series H. 7 7/8" x W. 4 1/2" x D. 2 3/4"
Knockouts	Combination 1/2" - 3/4" nominal, one on back and on each side and two on bottom (600P-series has reusable knockouts)
Wire Size	#8 - #14 AWG
Warranty	2 Years

FOR USE WITH THESE LIGHTING TYPES



WIRING DIAGRAM



120 / 208-277 VAC SPDT/DPST

40
AMP

MODEL NUMBER

609 INDOOR



NEMA 1



MODEL NUMBER

609P INDOOR / OUTDOOR



NEMA 3R



FEATURES

- Universal Multi-Voltage
- 4 SWITCHES IN ONE
- Designed to work with 120/208-277 VAC Applications
- Multiple ratings accommodate many load requirements
- Up to 16 ON-OFF operations per day
- Large finger set trippers
- Reversible doors for tight mounting spaces
- 609P has patented swing down locking wire compartment door with 2 extra tripper mounts with Pop-Out knockout holes to greatly save on installation time

GREAT FOR CONTROLLING

- | | |
|------------------------------|-------------------------------|
| Pumps and compressors | Commercial lighting and signs |
| Pools and spas | Electric motors |
| Heating and air conditioning | |

RATINGS

Switch	SPST or DPST
Timing Motor.....	120/208-277VAC 60 Hz, 4 Watts
Contact Voltage.....	120-240 VAC, 60Hz
Resistive, Inductive, Tungsten.....	40A, 40 FLA, 120, 208-240, 277 VAC
Electronic Ballast / LED.....	16A 120 VAC, 8A 240 VAC
Motor Load.....	2 HP 120 VAC, 5HP 240 VAC
Operating Temperature.....	-40°F to 130°F (-40°C to 54°C)
Pilot Duty.....	1000 VA, 120-240 VAC
Enclosure.....	600-Series NEMA 1 600P-Series NEMA 3R / Lockable Hasp
Enclosure Dimensions.....	600P-Series H. 8 3/4" x W. 6 1/4" x D. 3 1/8" 600-Series H. 7 7/8" x W. 4 1/2" x D. 2 3/4"
Knockouts	Combination 1/2" - 3/4" nominal, one on back and on each side and two on bottom (600P-series has reusable knockouts)
Wire Size.....	#8 - #14 AWG
Warranty.....	2 Years

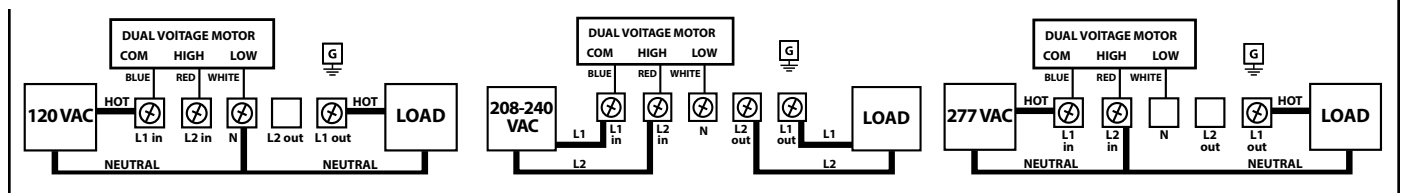
FOR USE WITH THESE LIGHTING TYPES



INDUSTRIAL GRADE



WIRING DIAGRAMS



MULTI-VOLTAGE TIME SWITCHES

RC400
THE CLEAR
CHOICE

120/208-277 VAC DPDT

40
AMP

MODEL NUMBER

RC40D INDOOR / OUTDOOR

24-HR

MODEL NUMBER

RC40W INDOOR / OUTDOOR

7-DAY



NEMA 3R



NEMA 3R

NM
NON-METAL



HIGH IMPACT
POLYCARBONATE

NM
NON-METAL



HIGH IMPACT
POLYCARBONATE

FEATURES

- Clear reversible doors for at-a-glance timer checking indoors or outdoors
- Multiple ratings accommodate many load requirements.
- Captive tripper dials for 24 hours or 7 days
- Push trippers OUT for ON, pull IN for OFF
- Load ON red and Power ON green LEDs
- Selector switch provides 3 modes of operation: Timer (AUTO), Always on (ON), Always Off (OFF)
- Rugged polycarbonate wiring terminal faceplate for safety
- POP-FAST finger-removable knockouts to cut installation time
- Minimum ON-OFF interval is 15 minutes. (RC40D)
- Minimum ON-OFF interval is 2 hours. (RC40W)

GREAT FOR CONTROLLING

Pumps and compressors	Commercial lighting and signs
Pools and spas	Electric motors
Heating and air conditioning	

FOR USE WITH THESE LIGHTING TYPES



RATINGS

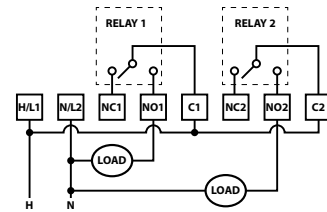
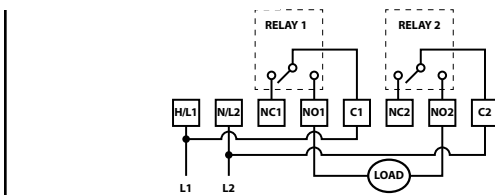
Switch DPDT - Can be used SPST, SPDT, DPST
Voltage Input 120/208-277VAC. 60Hz, 4 Watts
Enclosure 600P-Series NEMA 3R / Lockable Hasp
Enclosure Dimensions H. 8 3/4" x W. 6 1/4" x D. 3 1/8"
Operating Temp -31 °F to 116 °F (-35 °C to 47 °C)

Normally Open	Normally Closed
Resistive-277 VAC, 40 A	Resistive-277 VAC, 40 A
Horsepower-120 VAC, 1 HP	Horsepower-125 VAC, 1/4 HP
Horsepower-240 VAC, 2 HP	Horsepower-125 VAC, 1/2 HP
Ballast-277 VAC, 20 A	Ballast-277 VAC, 20 A
Tungsten-250 VAC, 5 A	Pilot Duty-240 VAC, 360 VA
Tungsten-125 VAC, 15 A	Pilot Duty-125 V AC, 290 VA
Pilot Duty-125 VAC, 800 VA	

Knockouts Combination 1/2" - 3/4" nominal, one on back and on each side and two on bottom (600P-series has reusable knockouts)

Wire Size #8 - #14 AWG
Warranty 2 Years

WIRING DIAGRAMS



INDUSTRIAL GRADE

UL US
LISTED



208-277 VAC DPST

WATER HEATER TIME SWITCH

WH600 WATER HEATER TIME SWITCH



MODEL NUMBER
WH600 METAL



URNS OFF ELECTRIC WATER HEATERS WHEN NOT NEEDED TO SAVE ENERGY

FEATURES

- Indoor low profile housing- lockable
- Up to 16 ON/OFF operations per day
- Large 3 1/2" clockwise dial for easy-to-understand setting
- Fully enclosed long life timing motor
- Safe, locking hinged wiring cover with extra tripper storage
- Industrial grade high-impact cabinet
- External, easily accessible manual override lever

GREAT FOR CONTROLLING

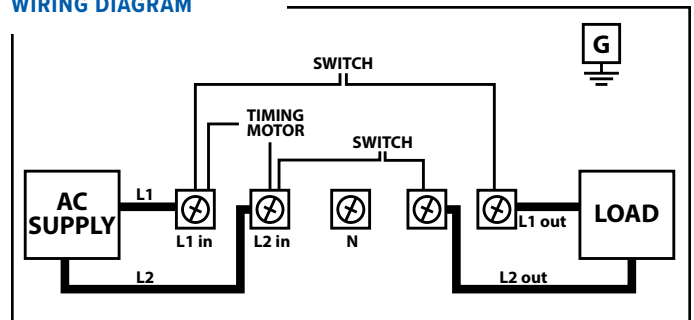
Electric water heaters



SWITCH RATINGS

Switch.....	DPST
Timing Motor.....	208-277 VAC 60 Hz, 4 Watts
Contact Voltage.....	120-277 VAC, 60Hz
Resistive, Inductive, Tungsten.....	40A, 120-240 VAC
Electronic Ballast / LED.....	16A 120 VAC, 8A 240 VAC
Motor Load.....	2 HP 120 VAC 5 HP 208-277 VAC
Operating Temperature.....	-40°F to 130°F (-40°C to 54°C)
Pilot Duty.....	1000 VA, 120-277 VAC
Enclosure.....	NEMA 3R / Lockable Hasp
Enclosure Dimensions.....	H. 7 3/4" x W. 4 5/8" x D. 2 7/8"
Knockouts.....	Combination 1/2" - 3/4" nominal, one on back and on each side and two on bottom
Wire Size.....	#8 - #14 AWG
Warranty.....	2 Years

WIRING DIAGRAM



24-HOUR MECHANICAL TIME SWITCHES



TIMER REPLACEMENT MECHANISMS



TIME SWITCH REPLACEMENT MECHANISMS

MECHANISM FEATURES

- All replacement mechanisms snap into existing Reliance Controls and most brands of previously installed cabinets
- Up to 16 ON/OFF operations per day
- Large 3 1/2" clockwise dial for easy-to-understand setting
- Fully enclosed long-life timing motor
- Temporary manual override lever
- Rigid plastic wiring compartment cover plate

Model Number	601M	603M	604M	609M
Switch	SPST	DPST	DPST	SPST and DPST
Timing Motor	120 VAC 60 Hz 4 Watts		208-277 VAC 60 Hz, 4 Watts	120/208-277 VAC 60 Hz, 4 Watts
Contact Voltage	120-240 VAC 60 Hz		120-277 VAC 60 Hz	120-277 VAC 60 Hz
Resistive, Inductive, Tungsten	40A 120-240 VAC			40A, 40 FLA, 120, 208-240, 277 VAC
Electronic Ballast / LED	16A 120 VAC, 8A 240VAC			16A 120 VAC, 8A 240 VAC
Motor Load	2 HP 120; 5 HP 240VAC		2 HP 120; 5 HP 208-277 VAC	2 HP 120 VAC, 5HP 240 VAC
Operating Temperature	-40°F to 130°F (-40°C to 54°C)			
Pilot Duty	1000 VA, 120-240 VAC		1000 VA, 120-277 VAC	1000 VA, 120-240 VAC
Enclosure	Snaps into existing Intermatic® and TORK® Cabinets			
Wire Size	#8 - #14 AWG			
Warranty	2 Years			
Replaces Intermatic	T101M	T103M	T104M	Snaps into most mechanical time switches
Replaces TORK	101BM-IAP		1104BM-IAP	



METAL AND POLYCARBONATE
ENCLOSURES

NEMA 3R ENCLOSURES



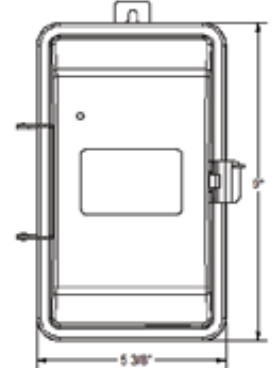
MODEL NUMBER
600RMC METAL



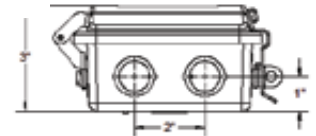
POWDER COATED
STEEL

FEATURES

- Heavy gauge metal wall for added strength and protection
- Reversible door hinge for left or right opening
- Sturdy latch closure to lock cabinet
- Safe, locking hinged wiring cover with extra tripper storage
- Combination 1/2" - 3/4" knockouts, one on back and on each side and two on bottom
- Convenient exterior mounting holes



ALL KNOCKOUTS:
1/2" AND 3/4"



INDUSTRIAL GRADE
INDOOR / OUTDOOR

NEMA 3R
CABINETS



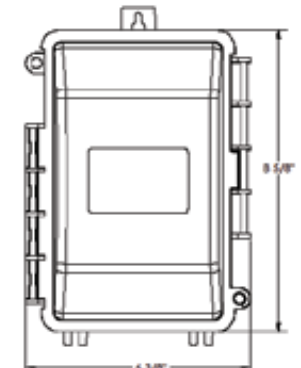
MODEL NUMBER
600RPC NON-METALLIC



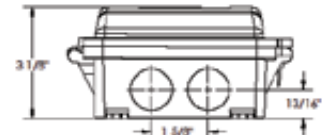
HIGH IMPACT
POLYCARBONATE

FEATURES

- Industrial grade high-impact UL-tested polycarbonate
- QUICK-SNAP reversible door hinge changes from left to right opening in seconds- no tools required
- Channeled rainproof closure secures door and incorporates padlock hasp
- Safe, locking hinged wiring cover with extra tripper storage
- Combination patented POP-FAST no-tools required 1/2" - 3/4" knockouts, one on back and on each side and two on bottom
- Convenient exterior mounting holes



ALL KNOCKOUTS:
1/2" AND 3/4"



INDUSTRIAL GRADE
INDOOR / OUTDOOR

NEMA 3R
CABINETS

24-HOUR MECHANICAL TIME SWITCHES

ACCESSORIES

ACCESSORIES

SEE-THROUGH CLEAR POLYCARBONATE DOOR



MODEL NUMBER

600CC

Available for Reliance Controls polycarbonate cabinet models is a see-through clear door that snaps-ON either the left or right hinges of all 600P-series polycarbonate cabinets. This clear door allows full viewing of the 24 hour timing dial and tripper settings. Included **1)** the blue Reliance Controls label on the front cover and **2)** a set of tri-lingual "This Time Switch Controls" front stickers.

SET OF ON/OFF TIMER TRIPPERS



MODEL NUMBER

RTP4

Two pairs of ON and OFF replacement trippers packed in a separate bag. Sold in cartons of 5 bags only. Order carton of 5 bags as **RTP20**.

REPLACEMENT TIMING MOTORS



MODEL NUMBER

RM120: 120 VAC 60 HZ

MODEL NUMBER

RM240: 208-277 VAC 60 HZ

MODEL NUMBER

RM120277: 120-277 VAC 60 HZ



Model Number	601 / 601R / 601P	602 / 602R / 602P	603 / 603R / 603P	604 / 604R / 604P	605 / 605P	606 / 606P	609 / 609P	WH600
RM120	X		X		X			X
RM240		X		X		X		
RM120277							X	

IN-WALL TIMERS

Reliance Controls commercial and residential in-wall timers are designed to replace any standard wall switch to automatically limit the ON times for fans, lighting, motors, heaters and other energy consuming loads.

Built to meet NEC and cULus requirements to easily maintain safe and reliable operation in rugged commercial environments.





ON-OFF



MODE

TIME



PROG | **RESET**

+

RESUME



-



RATINGS - IN-WALL TIMERS

Model	Watts Tungsten	Amps Tungsten	Electronic Ballast	Amps Ballast	Volts
15 Minute Countdown Timers - With Decorator Faceplate					
WB015W	1875	15 A	500W	10 A	125-277
WB015A	1875	15 A	500W	10 A	125-277
WB015Y	1875	15 A	500W	10 A	125-277
WB015V	1875	15 A	500W	10 A	125-277
30 Minute Countdown Timers - With Decorator Faceplate					
WB030W	1875	15 A	500W	10 A	125-277
WB030A	1875	15 A	500W	10 A	125-277
WB030Y	1875	15 A	500W	10 A	125-277
WB030V	1875	15 A	500W	10 A	125-277
60 Minute Countdown Timers - With Decorator Faceplate					
WB060W	1875	15 A	500W	10 A	125-277
WB060A	1875	15 A	500W	10 A	125-277
WB060Y	1875	15 A	500W	10 A	125-277
WB060V	1875	15 A	500W	10 A	125-277
120 Minute Countdown Timers - No Faceplate					
WB120W	1250	15 A	500W	15 A	125-277
5 / 10 / 15 / 30 Minute Countdown Timers - With Decorator Faceplate					
WEA030W	1000	8.3 A	500VA	8.3 A	120
WEA030A	1000	8.3 A	500VA	8.3 A	120
WEA030Y	1000	8.3 A	500VA	8.3 A	120
10 / 20 / 30 / 60 Minute Countdown Timers - With Decorator Faceplate					
WEB060W	1000	8.3 A	500VA	8.3 A	120
WEB060A	1000	8.3 A	500VA	8.3 A	120
WEB060Y	1000	8.3 A	500VA	8.3 A	120
2 / 4 / 8 / 12 Hour Countdown Timers - With Decorator Faceplate					
WED720W	1000	8.3 A	500VA	8.3 A	120
WED720A	1000	8.3 A	500VA	8.3 A	120
WED720Y	1000	8.3 A	500VA	8.3 A	120
7-Day Programmable Timers - With Decorator Colored Faceplate					
WE7000W	1000	8 A	500VA	8 A	125
WE7000A	1000	8 A	500VA	8 A	125
WE7000Y	1000	8 A	500VA	8 A	125
7-Day Astronomic Programmable Timers - With Decorator Colored Faceplate					
WE7100W	1000	8 A	500VA	8 A	125
WE7100A	1000	8 A	500VA	8 A	125
WE7100Y	1000	8 A	500VA	8 A	125

IN-WALL TIMERS

ELECTRONIC COUNTDOWN IN-WALL TIMERS

RUGGED TIME DIAL PLATE
EASILY WITHSTANDS THE
ABUSE ENCOUNTERED IN
COMMERCIAL ENVIRONMENTS

REPLACES SINGLE-POLE
SWITCHES IN A VARIETY OF
APPLICATIONS

OPERATES ALL LOAD
TYPES INCLUDING
INCANDESCENT, CFLs, LED
LAMPS AND FAN MOTORS



Timers available in white, almond, ivory and silver



WB SERIES SPRING-WOUND COUNTDOWN TIMERS

The WB-Series Auto-Shut-Off In-Wall Timers are designed to replace any standard single pole wall switch. These energy-efficient mechanical timers do not require electricity to operate. They automatically limit the ON times for fans, lighting, motors, heaters and other energy

consuming loads. All models come with rugged plastic decorator-style wall plates in white, light almond, ivory or silver. All meet cULus and NEC requirements for safety.

FEATURES

- Rugged time dial plate easily withstands the abuse encountered in professional environments
- Press-on knob design ensures quick and easy installation
- 15 Amp rated
- Operates all load types including incandescent, compact fluorescent and LED lighting and fan motors
- No neutral wire required
- Replaces any standard wall switch



White



Almond



Ivory



Silver

Model	Color	Time Cycle	UPC	Pack Qty.
15 Minute Countdown Timers - With Decorator Faceplate				
WB015W	White	15 Min	8-15181-01140-6	6
WB015A	Almond	15 Min	8-15181-01141-3	6
WB015Y	Ivory	15 Min	8-15181-01139-0	6
WB015V	Silver	15 Min	8-15181-01135-2	6
30 Minute Countdown Timers - With Decorator Faceplate				
WB030W	White	30 Min	8-15181-01143-7	6
WB030A	Almond	30 Min	8-15181-01144-4	6
WB030Y	Ivory	30 Min	8-15181-01142-0	6
WB030V	Silver	30 Min	8-15181-01136-9	6
60 Minute Countdown Timers - With Decorator Faceplate				
WB060W	White	60 Min	8-15181-01146-8	6
WB060A	Almond	60 Min	8-15181-01147-5	6
WB060Y	Ivory	60 Min	8-15181-01145-1	6
WB060V	Silver	60 Min	8-15181-01137-6	6
120 Minute Countdown Timers - No Faceplate				
WB120W	White	120 Min	8-15181-01751-4	6



120 Minute Auto Shut Off
No Faceplate

Rating:
125 VAC, 15 Amp General Use
15 Amp Resistive
1250 Watt Tungsten
500 Watt, Electronic Ballast

Motor:
1/2 HP, 60 Hz, 125 VAC

Switch:
Single Pole Single Throw (SPST)

Hold:
No

Rating:
125 VAC, 20 Amp, 2500 Watt General Use
125 VAC, 15 Amp, 1875 Watt Resistive
125 VAC, 15 Amp, 1875 Watt Tungsten
500 Watt, Electronic Ballast;
250 VAC, 10 Amp, 2500 Watt General Use
277 VAC, 10 Amp, 2770 Watt General Use

Motor:
1 HP, 60 Hz, 125 VAC
2 HP, 60 Hz, 250 VAC

Switch:
Single Pole Single Throw (SPST)

Hold:
No

Warranty:
2 Year



WE SERIES ELECTRONIC COUNTDOWN TIMERS

The WE-Series Electronic Auto Shut-Off In-Wall Timers also are designed to replace any standard single pole wall switch. Available with white, almond or ivory colored faceplates, they provide silent count down of minutes or hours with the press of a single button. Ideally suited for use in bathrooms and kitchens, they automatically limit the ON times for exhaust fans, lighting, motors, heaters and other energy consuming loads that may remain ON when not in use. All meet cULus and NEC requirements for safety

FEATURES

- Silent operation in time ranges from 5 minutes to 12 hours.
- Replaces any standard wall switch
- Requires a neutral wire
- 15 Amp rated
- Operates all load types including incandescent, compact fluorescent and LED lighting and fan motors
- Single button time selection
- Features a HOLD countdown



White



Almond



Ivory

Model	Color	Time Cycle	UPC	Pack Qty.
5 / 10 / 15 / 30 Minute Countdown Timers - With Decorator Faceplate				
WEA030W	White	5/10/15/30 Min	8-15181-01149-9	6
WEA030A	Almond	5/10/15/30 Min	8-15181-01150-5	6
WEA030Y	Ivory	5/10/15/30 Min	8-15181-01148-2	6
10 / 20 / 30 / 60 Minute Countdown Timers - With Decorator Faceplate				
WEB060W	White	10/20/30/60 Min	8-15181-01152-9	6
WEB060A	Almond	10/20/30/60 Min	8-15181-01153-6	6
WEB060Y	Ivory	10/20/30/60 Min	8-15181-01151-2	6
2 / 4 / 8 / 12 Hour Countdown Timers - With Decorator Faceplate				
WED720W	White	2/4/8/12 Hrs	8-15181-01155-0	6
WED720A	Almond	2/4/8/12 Hrs	8-15181-01156-7	6
WED720Y	Ivory	2/4/8/12 Hrs	8-15181-01154-3	6

Rating:

120 VAC, 15 Amp, General Purpose
 120 VAC, 15 Amp, 1800 Watt Resistive
 120 VAC, 8.3 Amp, 1000 Watt Tungsten
 1000 VA, Ballast
 500 VA, Electronic Ballast

Motor:

1/4 HP, 60 Hz, 120 VAC

Switch:

Single Pole Single Throw (SPST)

Hold:

Yes

Warranty:

2 Year



INCANDESCENT



CFL COMPATIBLE



Meets or Exceeds National Electrical Code® Requirements



WE7000 SERIES 7-DAY PROGRAMMABLE TIMERS

The WE7000-Series In-Wall Timers allow programming of individual ON/OFF settings each day for 7 days. You can also program RANDOM time settings to automatically shut lights OFF and ON at different times each day of the week to simulate building occupancy while away for enhanced security. These timers can replace any standard

wall switch. Easy, logical step by step on-screen programming instructions. Available with white, almond or ivory colored faceplates. Ideally suited to control outdoor or indoor lighting.

FEATURES

- Program up to 7 ON/OFF events per week
- Compatible with incandescent, CFL and LED lighting
- Automatic Daylight Savings time adjustment
- 15 Amp rated
- Fold up cover plate to neatly hide control panel buttons while showing actual time
- Built-in rechargeable NiMH battery to store settings during prolonged power outages
- Requires neutral wire



White



Almond



Ivory

Model	Color	Time Cycle	UPC	Pack Qty.
7-Day Programmable Timers - With Decorator Colored Faceplate				
WE7000W	White	24 Hr. / 7-Day	8-15181-01158-1	6
WE7000A	Almond	24 Hr. / 7-Day	8-15181-01159-8	6
WE7000Y	Ivory	24 Hr. / 7-Day	8-15181-01157-4	6

Rating:

125 VAC, 15 Amp General Purpose
 125 VAC, 15 Amp, 1875 Watt Resistive
 125 VAC, 8 Amp, 1000 Watt Tungsten
 125 VAC, 8 Amp, Standard Ballast
 500 VA, Electronic Ballast

Motor:

1/4 HP, 60 Hz, 125 VAC

Switch:

Single Pole Single Throw (SPST)

Warranty:

2 Year



Meets or Exceeds
National Electrical Code[®] Requirements



WE7100 SERIES 7-DAY ASTRONOMIC PROGRAMMABLE TIMERS

The WE7100-Series In-Wall Timers allow programming of individual ON/OFF settings each day for 7 days together with an ASTRONOMIC feature that automatically adjusts to sunrise and sunset times throughout the year. This saves you the inconvenience of re-programming the timer every few months. These WE7100-series timers can replace any standard wall switch. Available with white, almond or ivory colored faceplates. For low maintenance control of outdoor or indoor lighting all year long.

FEATURES

- Program up to 7 ON/OFF events per week
- Compatible with incandescent, CFL and LED lighting
- Automatic Daylight Savings time adjustment
- 15 Amp rated
- Requires neutral wire
- Fold up cover plate to neatly hide control panel buttons while showing actual time
- Built-in rechargeable NiMH battery to store settings during prolonged power outages
- RANDOM "lived-in" setting



White



Almond



Ivory

Model	Color	Time Cycle	UPC	Pack Qty.
7-Day Astronomic Programmable Timers - With Decorator Colored Faceplate				
WE7100W	White	24 Hr / 7-Day	8-15181-01164-2	6
WE7100A	Almond	24 Hr / 7-Day	8-15181-01165-9	6
WE7100Y	Ivory	24 Hr / 7-Day	8-15181-01163-5	6

Rating:

125 VAC, 15 Amp 1875 Watt General Purpose
 125 VAC, 15 Amp, 1875 Watt Resistive
 125 VAC, 8 Amp, 1000 Watt Tungsten
 125 VAC, 8 Amp, Standard Ballast
 500 VA, Electronic Ballast

Motor:

1/4 HP, 60 Hz, 125 VAC

Switch:

Single Pole Single Throw (SPST)

Warranty:

2 Year



SAVES ENERGY



DUSK TO DAWN LIGHT CONTROL



INCANDESCENT



AUTOMATIC DUSK TO DAWN TRACKING



CFL COMPATIBLE



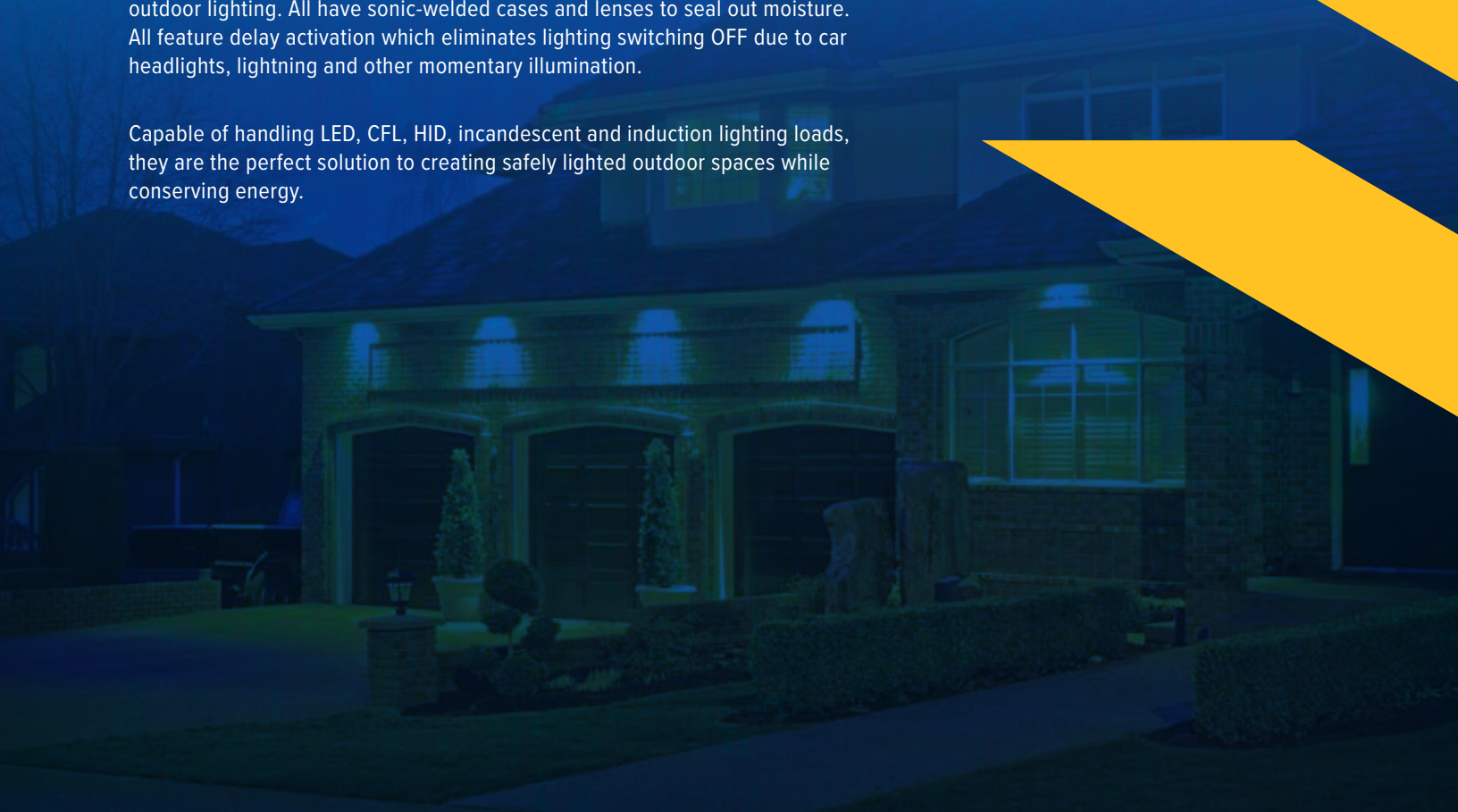
Meets or Exceeds National Electrical Code® Requirements



PHOTO CONTROLS

Reliance Controls outdoor-rated thermal and electronic photo controls product category includes fixed mount button, stem-type, swivel stem as well as locking-type designs that allow dusk-to-dawn lighting control of a wide assortment of outdoor lighting. All have sonic-welded cases and lenses to seal out moisture. All feature delay activation which eliminates lighting switching OFF due to car headlights, lightning and other momentary illumination.

Capable of handling LED, CFL, HID, incandescent and induction lighting loads, they are the perfect solution to creating safely lighted outdoor spaces while conserving energy.





P4000 SERIES BUTTON AND WALL MOUNT

Reliance P4000 Series Outdoor Fixed Position and Wall Mount thermal photo controls fit into a standard outdoor outlet box, a post lamp or a junction box. They provide dusk-to-dawn lighting control, along with a delay action, which prevents lights from switching ON and OFF due to car headlights, lightning and other nuisance light flashes. The design

uses a dual temperature compensating bi-metal and composite resistor for reliable long life operation over ambient temperature extremes. Night lighting deters crime and saves energy.

FEATURES

- 1/2" Conduit Mount
- Cadmium sulfide photocell
- Compatible with incandescent, CFL, HID and LED lighting
- Sonic welded polycarbonate housing and lens
- Silver faceplates on -C models
- Compact size fits into standard outlet box, junction box or lamp post
- Features 5/8"-18 NPSM, 3/4" long stem (3/8"-18 NPSM 5/8" long stem on model number P4024) with locking nut and washer gasket
- 6" wire leads



P4021 / P4023

Model	Type	Voltage	Hz	Tungsten	Ballast	Pack	Warranty
P4021	Button	120VAC	50-60 Hz	1800W	1100 VA	6	5 Years
P4023	Button	208-277VAC	50-60 Hz	2000W	2000 VA	6	5 Years
P4021C	Button w/Wallplate	120VAC	50-60 Hz	1800W	1100 VA	6	5 Years
P4023C	Button w/Wallplate	208-277VAC	50-60 Hz	2000W	2000 VA	6	5 Years
P4024	Mini Button	120VAC	50-60 Hz	1000W	1200 VA	6	5 Years

See complete Photo Controls Product Specifications on pages 35-36



P4021C / P4023C

P4024 MINI BUTTON LAMP POST PHOTOCONTROL

Specifically designed for smaller 7/16" diameter holes in lamp posts



WORKS WITH
LED
OUTDOOR FIXTURES

DUSK TO DAWN LIGHT CONTROL

CFL COMPATIBLE

INCANDESCENT

SAVES ENERGY

DETERS CRIME



THERMAL PHOTO CONTROLS

P4100 & P4400 SERIES FIXED STEM MOUNT

Reliance P4100 and P4400 Series Outdoor Fixed Position Photo Controls fit into 1/2" knockout holes in standard outdoor light fixtures and electrical boxes for dusk-to-dawn control of outdoor light fixtures. A delay action is incorporated to prevent lights

switching ON and OFF due to car headlights, lightning and other nuisance light flashes. Available in polycarbonate or die-cast aluminium housings.

FEATURES

- 1/2" Conduit Mount
- Cadmium sulfide photocell
- Compatible with incandescent, CFL, HID and LED lighting
- Sonic welded polycarbonate housing and lens to seal out moisture
- P4400-series has die-cast aluminium housing
- Fits into standard electrical boxes or outdoor light fixtures
- 5/8"-18 NPSM, 3/4" long stem with locking nut and washer gasket
- 6" wire leads



P4421



P4423



P4121

Model	Type	Voltage	Hz	Tungsten	Ballast	Pack	Warranty
P4121	Fixed Stem Side Lens	120VAC	50-60 Hz	2000 W	2000 VA	6	5 Years
P4123	Fixed Stem Side Lens	208-277 VAC	50-60 Hz	2000 W	2000 VA	6	5 Years
P4421	Fixed Stem Side Lens Aluminum	120VAC	50-60 Hz	2000 W	2000 VA	6	5 Years
P4423	Fixed Stem Side Lens Aluminum	240 VAC	50-60 Hz	2000 W	2000 VA	6	5 Years

See complete Photo Controls Product Specifications on pages 35-36

ADJUSTABLE SLIDE BAR TO ADJUST PHOTOCELL LIGHT EXPOSURE

SONIC-WELDED POLYCARBONATE HOUSING AND LENS TO SEAL OUT MOISTURE

5/8"-18 NPSM, 3/4" LONG STEM WITH LOCKING NUT AND WASHER GASKET



P4123

WORKS WITH...
LED
OUTDOOR FIXTURES

DUSK TO DAWN LIGHT CONTROL

CFL COMPATIBLE

INCANDESCENT

SAVES ENERGY

DETERS CRIME



Meets or Exceeds National Electrical Code® Requirements

P4200 SERIES SWIVEL STEM MOUNT

Reliance P4200 Series Outdoor Swivel Mount Photo Controls also fit into 1/2" knockout holes in standard outdoor light fixtures and electrical boxes for dusk-to-dawn control of outdoor light fixtures. The P4200 Series photo controls have a swivel arm which rotates 360 degrees and swivels 270 degrees to aim the sensor specifically at the light source. Available in cube or pencil-style housings.

FEATURES

- 1/2" Conduit Mount
- Cadmium sulfide photocell
- Compatible with incandescent, CFL, HID and LED lighting
- Sonic welded polycarbonate housing and lens to seal out moisture
- Delay activation to prevent nuisance light switching
- Fits into standard electrical boxes or outdoor light fixtures
- 5/8"-18 NPSM, 3/4" long stem with locking nut and washer gasket
- Rotating / swiveling stem
- 6 " wire leads



P4223

Model	Type	Voltage	Hz	Tungsten	Ballast	Pack	Warranty
P4221	Swivel Side Lens	120VAC	60	2000W	2000VA	6	5 Years
P4223	Swivel Side Lens	208-277VAC	60	2000W	2000VA	6	5 Years
P4251	Swivel Top Lens	120VAC	60	1800W	1100VA	6	5 Years
P4253	Swivel Top Lens	208-277VAC	60	2000W	2000VA	6	5 Years

See complete Photo Controls Product Specifications on pages 35-36

SONIC-WELDED
POLYCARBONATE
HOUSING AND LENS TO
SEAL OUT MOISTURE

ADJUSTABLE PENCIL-TYPE
HOUSING ALLOWS PIN-POINT
DIRECTION TO LIGHT SOURCE

5/8" - 18 NPSM 3/4" LONG
STEM WITH LOCKING NUT
AND WASHER GASKET



P4253

WORKS WITH
LED
OUTDOOR FIXTURES

DUSK TO DAWN
LIGHT CONTROL

CFL COMPATIBLE

SAVES ENERGY

INDUSTRIAL GRADE



Meets or Exceeds
National Electrical Code[®] Requirements

THERMAL PHOTO CONTROLS

LOCKING-TYPE MOUNTING, THERMAL-TYPE

P4500 & P2000 SERIES LOCKING MOUNT

Reliance P4500 and P2000 Series Swivel Mount Photo Controls install on light fixtures with ANSI C136.10 3-prong NEMA receptacles found on street light fixtures for dusk-to-dawn control. The locking type connection is designed for

easy, fast no-wiring replacement of PHOTO CONTROLS in high, or otherwise remote fixture location. The P2000 has a heavy-duty electronic relay designed for long life.

FEATURES

- Cadmium sulfide or electronic photo sensing (on P2000)
- UV-stabilized housing
- Delay activation to prevent nuisance switching caused by automobiles, lightning or other momentary light sources
- Compatible with incandescent, CFL, HID and LED lighting
- No-wiring connection with ANSI C136.10 NEMA 3-prong male



P4521

Model	Type	Voltage	Hz	Tungsten	Ballast	Pack	Warranty
P4521	Locking	120VAC	50/60	1000W	1800VA	6	5 Years
P4523	Locking	208-277VAC	50/60	2000W	1800VA	6	5 Years
P2000	Locking Electronic	105-305VAC	50/60	1000W	1800VA	6	6 Years

See complete Photo Controls Product Specifications on pages 35-36



P4523



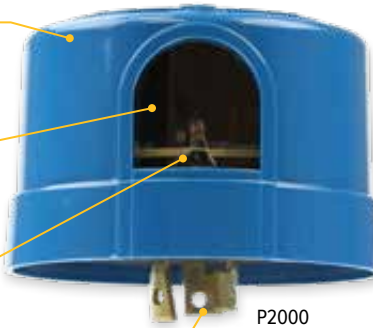
P2000

UV-STABILIZED THERMOPLASTIC HOUSING

320 JOULE SURGE SUPPRESSOR

ELECTRONIC SWITCHING RELAY FOR LONG LIFE

NO-WIRING CONNECTION WITH ANSI C136.10 NEMA 3-PRONG MALE



P2000

WORKS WITH LED OUTDOOR FIXTURES

DUSK TO DAWN LIGHT CONTROL

CFL COMPATIBLE

SAVES ENERGY

INDUSTRIAL GRADE



Meets or Exceeds National Electrical Code® Requirements



PE5000 SERIES ELECTRONIC PHOTOCONTROLS BUTTON, WALL-MOUNT, FIXED STEM & SWIVEL STEM



PE5051B

PE5051BW



PE5051PF

PE5051PS



PE5051HF

PE5051HS

Our Electronic Photo Controls install permanently in outdoor fixtures to match the life expectancy of newer LED and other long-life lights. They feature a solid state light sensor and relays with zero-crossing technology. Less moving parts equal more accuracy and longer life for these premium Photo Controls.



FEATURES

- Exceed 10,000 ON/OFF cycles
- 15 Year design life
- Sturdy weatherproof construction
- Silicon light sensor with IR filter
- DC Relay with Zero-Crossing circuitry
- 5 Amp electronic ballast
- Fail ON mode
- Designed for single or multi-fixture HID and LED installations
- 160 J MOV surge protection
- ½" – 14 NPSM threaded stems for standard boxes

Model	Type	Voltage	Hz	Tungsten	Ballast	Pack	Warranty
PE5051B	Button	120-277VAC	50-60 Hz	1800 VA	5 Amp	6	8 Years
PE5051BW	Button w/ Wallplate	120-277VAC	50-60 Hz	1800 VA	5 Amp	6	8 Years
PE5051PF	Fixed Stem Top Lens	120-277VAC	50-60 Hz	1800 VA	5 Amp	6	8 Years
PE5051HF	Fixed Stem Side Lens	120-277VAC	50-60 Hz	1800 VA	5 Amp	6	8 Years
PE5051PS	Swivel Stem Top Lens	120-277VAC	50-60 Hz	1800 VA	5 Amp	6	8 Years
PE5051HS	Swivel Stem Side Lens	120-277VAC	50-60 Hz	1800 VA	5 Amp	6	8 Years

See complete Photo Controls Product Specifications on pages 35-36

WORKS WITH
LED
OUTDOOR FIXTURES

**DUSK TO DAWN
LIGHT CONTROL**

CFL COMPATIBLE

SAVES ENERGY

INDUSTRIAL GRADE



Meets or Exceeds
National Electrical Code® Requirements

ELECTRONIC PHOTO CONTROLS

PE5000 SERIES ELECTRONIC PHOTOCONTROLS LOCKING STEM, LONG-LIFE



12
YEAR WARRANTY

Model PE5081L

Our commercial use extended long-life electronic photo control with a 12 Year limited warranty designed for 20-year service for single or multi-fixture long-life LED or HID fixtures

FEATURES

- Exceed 15,000 ON/OFF cycles
- 20 Year design life
- UV stabilized impact resistant polycarbonate (PC)
- Silicon light sensor with IR filter
- Zero-cross detection circuitry
- 8 Amp electronic ballast
- Designed for single or multi-fixture HID and LED installations
- 320J MOV surge protection



8
YEAR WARRANTY

Model PE5051L

Our contractor standard extended long-life electronic photo control with an 8 Year limited warranty designed for 15-year service for single or multi-fixture long-life LED or HID fixtures

FEATURES

- Exceed 10,000 ON/OFF cycles
- 15 Year design life
- UV stabilized impact resistant polycarbonate (PC)
- Silicon light sensor with IR filter
- Zero-cross detection circuitry
- 5 Amp electronic ballast
- Designed for single or multi-fixture HID and LED installations
- 320J MOV surge protection



6
YEAR WARRANTY

Model PE5021L

Our cost-effective extended life electronic photo control with a 6 Year limited warranty designed for 10-year service for single-fixture smaller LED or HID fixtures

FEATURES

- Exceed 5,000 ON/OFF cycles
- 10 Year design life
- UV stabilized impact resistant polycarbonate (PC)
- Silicon light sensor with IR filter
- 2 Amp electronic ballast
- Designed for single-fixture smaller HID and LED installations
- 320J MOV surge protection

Model	Type	Lens Location	Voltage	Hz	Tungsten Incan	Inductive Ballast	Electronic Ballast	Pack	Warranty
PE5021L	Locking	Side	120-277VAC	50/60 Hz	1000 W	1800 VA	2 A	6	6 Years
PE5051L	Locking	Side	120-277VAC	50/60 Hz	1000 W	1800 VA	5 A	6	8 Years
PE5054L	Locking	Side	347-480VAC	50/60 Hz	1000 W	1800 VA	5 A	6	8 Years
PE5081L	Locking	Side	120-277VAC	50/60 Hz	1000 W	1800 VA	8 A	6	12 Years

See complete Photo Controls Product Specifications on pages 35-36

P-SERIES PHOTO CONTROLS ACCESSORIES

5
YEAR WARRANTY

Reliance Controls Accessories include wire-in mounting bases for light fixtures that are not mounting base equipped, so that Reliance Controls locking mount photo controls can be used. Also included is an ALWAYS ON "shorting cap" that, when installed, keeps lighting permanently ON.



Model	Description	Voltage	UPC	Pack Qty.
P121	Replacement Receptacle (Thin Style) 10" Wire Leads	125 - 480 VAC	8-15181-01123-9	6
P122	Replacement Receptacle (Thick Style) 10" Wire Leads	125 - 480 VAC	8-15181-01121-5	6
P122M	Replacement Receptacle (Thick Style) (with Metal Bracket) 10" Wire Leads	125 - 480 VAC	8-15181-01122-2	6
P4500	Shorting Cap - ALWAYS ON	125 - 480 VAC	8-15181-01750-7	6

SPECIFICATIONS - RELIANCE CONTROLS PHOTO CONTROLS

Model	Type	Lens Location	Voltage	Hz	Tungsten Incan	Inductive Ballast	Electronic Ballast	ON	OFF	Time Delay OFF
BUTTON AND WALL MOUNT ELECTRONIC										
PE5051B	Button	Front	120-277VAC	50/60 Hz	1000 W	1800 VA	5 A	1.5 fc	2.25 fc	3-15 Sec
PE5051BW	Button w/Plate	Front	120-277VAC	50/60 Hz	1000 W	1800 VA	5 A	1.5 fc	2.25 fc	3-15 Sec
FIXED STEM MOUNT- ELECTRONIC										
PE5051PF	Fixed Stem	Top	120-277VAC	50/60 Hz	1000 W	1800 VA	5 A	1.5 fc	2.25 fc	3-15 Sec
PE5051HF	Fixed Stem	Side	120-277VAC	50/60 Hz	1000 W	1800 VA	5 A	1.5 fc	2.25 fc	3-15 Sec
STEM AND SWIVEL MOUNT ELECTRONIC										
PE5051PS	Swivel Stem	Top	120-277VAC	50/60 Hz	1000 W	1800 VA	5 A	1.5 fc	2.25 fc	3-15 Sec
PE5051HS	Swivel Stem	Side	120-277VAC	50/60 Hz	1000 W	1800 VA	5 A	1.5 fc	2.25 fc	3-15 Sec
LOCKING MOUNT ELECTRONIC										
PE5021L	Locking	Side	120-277VAC	50/60 Hz	1000 W	1800 VA	2 A	1.5 fc	2.25 fc	3-10 Sec
PE5051L	Locking	Side	120-277VAC	50/60 Hz	1000 W	1800 VA	5 A	1.5 fc	2.25 fc	3-10 Sec
PE5054L	Locking	Side	347-480VAC	50/60 Hz	1000 W	1800 VA	5 A	1.5 fc	2.25 fc	3-10 Sec
PE5081L	Locking	Side	120-277VAC	50/60 Hz	1000 W	1800 VA	8 A	1.5 fc	2.25 fc	3-10 Sec
BUTTON AND WALL MOUNT THERMAL										
P4021	Button	Front	120VAC	50/60 Hz	1800 W	1100 VA	9.1 A	1-2 fc	4-7 fc	3-15 Sec
P4023	Button	Front	208-277VAC	50/60 Hz	2000 W	2000 VA	5 A	1-2 fc	4-7 fc	3-15 Sec
P4021C	Button w/Plate	Front	120VAC	50/60 Hz	1800 W	1100 VA	9.1 A	1-2 fc	4-7 fc	3-15 Sec
P4023C	Button w/Plate	Front	208-277VAC	50/60 Hz	2000 W	2000 VA	5 A	1-2 fc	4-7 fc	3-15 Sec
P4024	Button	Front	120VAC	50/60 Hz	1000 W	1200 VA	2 A	1-2 fc	4-7 fc	3-15 Sec
FIXED STEM MOUNT- THERMAL										
P4121	Fixed Stem	Side	120VAC	50/60 Hz	2000 W	2000 VA	16.6 A	1-2 fc	4-7 fc	3-15 Sec
P4123	Fixed Stem	Side	208-277VAC	50/60 Hz	2000 W	2000 VA	16.6 A	1-2 fc	4-7 fc	3-15 Sec
P4421	Fixed Stem	Side	120VAC	50/60 Hz	2000 W	2000 VA	16.6 A	1-2 fc	4-7 fc	3-15 Sec
P4423	Fixed Stem	Side	208-277VAC	50/60 Hz	2000 W	2000 VA	16.6 A	1-2 fc	4-7 fc	3-15 Sec
Stem and Swivel Mount Thermal										
P4221	Swivel Stem	Side	120VAC	50/60 Hz	2000 W	2000 VA	16.6 A	1-2 fc	4-7 fc	3-15 Sec
P4223	Swivel Stem	Side	208-277VAC	50/60 Hz	2000 W	2000 VA	5 A	1-2 fc	4-7 fc	3-15 Sec
P4251	Swivel Stem	Top	120VAC	50/60 Hz	1000 W	1100 VA	8.3 A	1-2 fc	4-7 fc	3-15 Sec
P4253	Swivel Stem	Top	208-277VAC	50/60 Hz	2000 W	2000 VA	5 A	1-2 fc	4-7 fc	3-15 Sec
Locking Mount Thermal										
P4521	Locking	Side	120VAC	50/60 Hz	1000 W	1800 VA	15 A	1-2 fc	4-7 fc	3-15 Sec
P4523	Locking	Side	208-277VAC	50/60 Hz	2000 W	1800 VA	5 A	1-2 fc	4-7 fc	3-15 Sec
P2000	Locking	Side	105-305VAC	50/60 Hz	1000 W	1800 VA	8.3 A	1-2 fc	4-7 fc	3-15 Sec

PHOTO CONTROLS

MOV	Fail Mode	ON-OFF Switch Operations	Years Design Life	Operating Temperature	Power Use	Wire Leads	Dimension (Inches) H x W x L	Pack	UPC	Warranty	
BUTTON AND WALL MOUNT ELECTRONIC											
160 J	ON	10000	15	Neg 40-167F (Neg 40-75C)	Under 1 W	6"	2 x 1.1 x 1.6	6	815181019686	8 Years	
160 J	ON	10000	15		Under 1 W	6"	4.5 x 2.8 x 1.6	6	815181019693	8 Years	
FIXED STEM MOUNT- ELECTRONIC											
160 J	ON	10000	15	Neg 40-167F (Neg 40-75C)	Under 1 W	6"	3.3 x 1.25 x 1	6	815181019709	8 Years	
160 J	ON	10000	15		Under 1 W	6"	3.9 x 2 x 1.4	6	815181019723	8 Years	
STEM AND SWIVEL MOUNT ELECTRONIC											
160 J	ON	10000	15	Neg 40-167F (Neg 40-75C)	Under 1 W	6"	5.8 x 1.25 x 1.2	6	815181019716	8 Years	
160 J	ON	10000	15		Under 1 W	6"	6.4 x 2 x 1.4	6	815181019730	8 Years	
LOCKING MOUNT ELECTRONIC											
320 J	ON	5000	10	Neg 40-167F (Neg 40-75C)	Under 1 W	n/a	2.5 x 3.25 x 3.25	6	815181019747	6 Years	
320 J	ON	10000+	15		Under 1 W	n/a	2.5 x 3.25 x 3.25	6	815181019754	8 Years	
640J	ON	10000+	15		Under 1 W	n/a	2.5 x 3.25 x 3.25	6	815181018559	8 Years	
320 J	ON	15000+	20		Under 1 W	n/a	2.5 x 3.25 x 3.25	6	815181019761	12 Years	
BUTTON AND WALL MOUNT THERMAL											
160 J	ON	3650	5	Neg 40-158F (Neg 40-70C)	Under 1 W	6"	2" x 1.1" x 1.6"	6	815181011178	5 Years	
160 J	ON	3650	5		Under 1 W	6"	2" x 1.1" x 1.6"	6	815181011185	5 Years	
160 J	ON	3650	5		Under 1 W	6"	4.1" x 2.3" x 1.6"	6	815181011192	5 Years	
160 J	ON	3650	5		Under 1 W	6"	4.1" x 2.3" x 1.6"	6	815181011208	5 Years	
160 J	ON	3650	5		Under 1 W	6"	2" x 1.1" x 1.6"	6	815181018030	5 Years	
FIXED STEM MOUNT- THERMAL											
160 J	ON	3650	5	Neg 40-158F (Neg 40-70C)	Under 1 W	6"	3" x 2" x 1.6"	6	815181011314	5 Years	
160 J	ON	3650	5		Under 1 W	6"	3" x 2" x 1.6"	6	815181011338	5 Years	
160 J	ON	3650	5		Under 1 W	6"	3" x 2" x 1.6"	6	815181011383	5 Years	
160 J	ON	3650	5		Under 1 W	6"	3" x 2" x 1.6"	6	815181011345	5 Years	
Stem and Swivel Mount Thermal											
160 J	ON	3650	5	Neg 40-158F (Neg 40-70C)	Under 1 W	6"	3.5" x 2" x 2.7"	6	815181011291	5 Years	
160 J	ON	3650	5		Under 1 W	6"	5.5" x 2" x 1.5"	6	815181011307	5 Years	
160 J	ON	3650	5		Under 1 W	6"	3.5" x 1.8" x 1.3"	6	815181011277	5 Years	
160 J	ON	3650	5		Under 1 W	6"	4.8" x 2.2" x 1.1"	6	815181011284	5 Years	
Locking Mount Thermal											
110 J	ON	3650	5	Neg 40-158F (Neg 40-70C)	Under 1 W	n/a	2.4" x 2.9" Diameter	6	815181011246	5 Years	
110 J	ON	3650	5		Under 1 W	n/a	2.4" x 2.9" Diameter	6	815181011253	5 Years	
110 J	ON	3650	5		Under 1 W	n/a	2.4" x 2.9" Diameter	6	815181011260	5 Years	

OCCUPANCY / VACANCY SENSORS

The easiest and most cost-effective way to save energy in residential, commercial and industrial areas is to replace standard switches with occupancy and vacancy sensors from Reliance Controls. Because Reliance sensors respond instantly to occupancy, they also insure a safe, securely lit environment for personnel.





PASSIVE INFRARED

Senses occupancy using infrared bands to detect body heat and the movement between sensing bands

OCCUPANCY / VACANCY SENSORS

Automatically turn lights ON when motion or body heat is detected and OFF again when a room has been vacated after a settable time delay.

VACANCY SENSORS

You turn the lights ON. The sensor keeps them ON as long as motion or body heat, then turns light OFF automatically after a room has been vacated

WALL MOUNT

PIR OCCUPANCY / VACANCY SENSORS (WHITE WITH SINGLE GANG DECORATOR WALL PLATE INCLUDED)



Reliance Controls wall sensors provide a 180° coverage pattern extending outward from the sensor. This range pattern will provide for instant ON when a person enters a room.



Model V1LNW
Vacancy Sensor Switch with Nightlight

FEATURES

- Indoor use only
- Manual ON / Automatic OFF
- Adjustable OFF time delay
- Built-in nightlight
- Applications: Bathrooms, laundry rooms, garages
- Coverage: 180° 720 sq. ft. with clear view
- Neutral required



Model VOW
Occupancy / Vacancy Sensor Switch

FEATURES

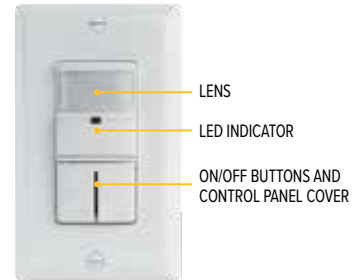
- Residential indoor use only
- Manual or Automatic ON / Automatic OFF
- Adjustable OFF time delay, light level and detection sensitivity
- LED room occupancy detector
- Applications: Offices, conference rooms, break rooms
- Coverage: 180° 720 sq. ft. with clear view
- Neutral not required



Model VONW
Occupancy / Vacancy Sensor Switch

FEATURES

- Residential indoor use only
- Manual or Automatic ON / Automatic OFF
- Adjustable OFF time delay, light level and detection sensitivity
- LED room occupancy detector
- Applications: Offices, conference rooms, break rooms
- Coverage: 180° 720 sq. ft. with clear view
- Neutral required



Model VODW
Occupancy / Vacancy Sensor Switch for Dual Loads

FEATURES

- Residential indoor use only
- Manual or Automatic ON / Automatic OFF (for 2 loads)
- Adjustable OFF time delay, light level and detection sensitivity
- LED room occupancy detector
- Applications: Rooms needing separate light and/or fan activation
- Coverage: 180° 720 sq. ft. with clear view
- Neutral not required

Model	Voltage / Hz	Load Rating Lighting	Load Rating Fan	Coverage Range	Time Delay OFF Adjustment
V1LNW	120VAC, 60Hz	120VAC, 0-600 W, Incan/LED/CFL	1/6th HP	180° Up to 15 Ft. Height 720 sq. ft. (67 square meters)	1 to 30 Minutes
VONW	120/277VAC, 60Hz	120V 800W / 277V 1200W, Fluorescent lamp rapid start Incan/LED/CFL	1/6th HP	180° Up to 15 Ft. Height 720 sq. ft. (67 square meters)	5 seconds to 30 Minutes
VOW	120/277VAC, 60Hz	120V 800W / 277V 1200W, Fluorescent lamp rapid start Incan/LED/CFL	1/6th HP	180° Up to 15 Ft. Height 720 sq. ft. (67 square meters)	5 seconds to 30 Minutes
VODW	120/277VAC, 50-60Hz	120V 800W / 277V 1200W, Fluorescent lamp rapid start Incan/LED/CFL	1/6th HP	180° Up to 15 Ft. Height 720 sq. ft. (67 square meters)	15 seconds to 30 Minutes
VOHBNW	120/277VAC / 50/60 Hz	120V 800W Incandescent Lamp; 277V 1200W Fluorescent Lamp; No minimum load requirements. For use with Incan, FL, CFL, MLV, ELV, LED and Halogen Lighting	1/6th HP	360° Up to 30 Ft. Height 1200 sq. ft. (111.5 square meters)	15 seconds to 30 Minutes
VOCANW	120/277VAC, 60Hz	120V 800W Incandescent Lamp; 277V 1200W Fluorescent Lamp; No minimum load requirements. For use with Incan, FL, CFL, MLV, ELV, LED and Halogen Lighting	1/6th HP	360°, Up to 15 Ft. Height 1200 sq. ft. (111.5 square meters)	15 seconds to 30 Minutes

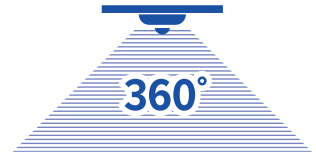


OCCUPANCY SENSORS

CEILING-MOUNT

PIR OCCUPANCY SENSORS (WHITE HOUSINGS)

Commercial grade Reliance ceiling sensors provide a 360° coverage pattern extending outward from the sensor from a 15 ft ceiling or a high bay 30 ft inner roof.



Model VOCANW
Ceiling Mount Occupancy Sensor

FEATURES

- Indoor use only
- Automatic ON / Automatic OFF
- Adjustable OFF time delay, light level and detection sensitivity
- Replaces existing ceiling light or fan up to 15 feet high
- Applications: Conference rooms, classrooms, cafeterias
- Coverage: 360° 1200 sq. ft. at up to 15 ft.
- Neutral required



Model VOHBNW
High Bay Mount Occupancy Sensor

FEATURES

- Indoor use only
- Automatic ON / Automatic OFF
- Adjustable OFF time delay, light level and detection sensitivity
- Mounts in roof junction box or existing light fixture up to 30 feet high
- Applications: Warehouses, manufacturing
- Coverage: 360° 1200 sq. ft. at up to 30 ft.
- Neutral required



	Operating Temperature	Humidity Range	Zero Crossing Technology	UPC	Sale Pack Dimensions	Sale Pack Weight	Tray Pack	Warranty	Intermatic Cross	TORK Cross
	-32° to 131° F (0° to 55° C)	95% RH, non-condensing	X	815181019945	3" x 5" x 2 1/8" 1" Hang Tab		6	5 Years	IOS-DOV-NL	WOS
	-32° to 131° F (0° to 55° C)	95% RH, non-condensing	X	815181019969	3" x 5" x 2 1/8" 1" Hang Tab		6	5 Years	IOS-DOV	WOS-NM
	-32° to 131° F (0° to 55° C)	95% RH, non-condensing	X	815181019952	3" x 5" x 2 1/8" 1" Hang Tab		6	5 Years	IOS-DSR	WOS-M
	-32° to 131° F (0° to 55° C)	95% RH, non-condensing	X	815181019976	3" x 5" x 2 1/8" 1" Hang Tab		6	5 Years	IOS-DDR	WOS-M2R
	-32° to 131° F (0° to 55° C)	95% RH, non-condensing	X	815181019983	5" x 2-1/2" x 2-3/8" 1" Hang Tab	5.0 Oz	6	3 Years	IOS-HB-U	HOS-M
	-32° to 131° F (0° to 55° C)	95% RH, non-condensing	X	815181019990	3-5/8" x 4-3/4" x 2-3/8" 1" Hang Tab	5.64 Oz	6	3 Years	IOS-CMP-U	COS-L

CIRCUIT TESTERS & HOME MONITORING PRODUCTS

By listening to our customers' varied electrical testing needs, we've developed this group of **CIRCUIT TESTERS**. Our goal was to make electrical installation projects easier.

Our power outage-related **HOME MONITORING PRODUCTS** warn you of electrical appliance shut downs as a result of power grid failures.



CIRCUIT TESTERS AND

CIRCUIT TESTERS



VOLT SNOOPER NON-CONTACT VOLTAGE DETECTOR

Item#	Description	UPC	Pack Qty.
THP101	Non-Contact Voltage Detector	8-51890-00001-0	10

- Handy pen-size device checks for the presence of live voltage between 50- 1000 AC Volts (50-60 Hz) without need to contact bare wire leads.
- Visual and audible signal indicates current.
- Pushbutton activation of voltage detection.



CIRCUIT SCOUT CIRCUIT BREAKER LOCATOR

Item#	Description	UPC	Pack Qty.
THP109	Circuit Breaker Locator and Wiring Analyzer	8-15181-01277-9	5

- Electrician-inspired plug-in device for detection of the right circuit breaker the first time, every time.
- Eliminates need for a second person on the job.
- Plug the Circuit Scout into the outlet you want to trace. Turn on sonic and increase volume as needed. Then go turn off the correct breaker to stop sonic.
- Built in wiring analyzer.



CIRCUIT SCREAMER CIRCUIT BREAKER FINDER PLUS

Item#	Description	UPC	Pack Qty.
THP109MA	Circuit Screamer	8-15181-01993-8	5

- Electrician inspired.
- Plug into live outlet. Locator screams at 105 dB until correct circuit breaker is turned off. Adjustable volume.
- No need for a second person at load center.
- Comes with standard screw-in socket adapter for ceiling lights - to trace wall switches.



POWEROUT! POWER FAILURE LIGHT AND ALARM

Item#	Description	UPC	Pack Qty.
THP207M	Power Failure Emergency Light & Alarm	8-51890-00062-1	5

- A compact plug-in emergency light and alarm. Under normal utility power conditions the PowerOUT is a subtle night light. But when a power outage occurs, it becomes a 78dB alarm with a powerful LED path- or portable flashlight that lasts up to 3 hours.



SONICORD KEY APPLIANCE POWER FAILURE ALARM

Item#	Description	UPC	Pack Qty.
THP111	Plug-In Appliance Load Tester	8-15181-01056-0	3

- Essential for monitoring Home Freezers, refrigerators, aquarium and other key home appliances. Plugs in-line between the power outlet and the appliance being monitored. Sounds piercing signal for 90 minutes to warn you a power failure has occurred. Two rechargeable batteries included.

HOME MONITORING PRODUCTS

EARLY WARNING SUMP PUMP ALARM & FLOOD ALERT

Item#	Description	UPC	Pack Qty.
THP205	Sump Pump Alarm and Flood Alert	8-51890-00061-4	5

- This alarm sounds an extra-loud 105dB alarm when water in a sump pump crock rises above a level you set. Accessory floor sensor for laundry rooms.
- Wall-mountable
- 6-foot sensor probe wire with crimp-on sinker weight to allow sensor to hang in sump crock at correct level.

Features include



 Detects Unwanted Water or Flooding
  Loud 105dB Siren

AMWATT PLUG-IN APPLIANCE LOAD TESTER

Item#	Description	UPC	Pack Qty.
THP103	Plug-In Appliance Load Tester	8-51890-00004-1	3

- Instant reading of either Watts or Amps used by any plug-in device.
- Determine the wattage rating you'll need from a generator in a power outage.
- Plug AmWatt into a 120 Volt live outlet. Plug your appliance into AmWatt. Read watts (up to 1875) or amps (up to 15) on LCD display.



 26 IN CORD
  cUL US LISTED
  Rugged, high-impact construction

POWERBACK UTILITY POWER RETURN WARNING ALERT

Item#	Description	UPC	Pack Qty.
THP108	Plug-In Voltage Indicator	8-15181-01055-3	1

- PowerBACK connects to your main electrical panel to alert you when utility power returns after a power outage. For use when entire panel is shut down while a generator is used.



 cUL US LISTED
  Loud 100dB Siren

CHEKOUT PLUG-IN CIRCUIT ANALYZER AND GFCI CHECK

Item#	Description	UPC	Pack Qty.
THP102	Plug-In Circuit Analyzer and GFCI Check	8-15181-01066-9	5
THP102P	Plug-In Circuit Analyzer and GFCI Check 40 in. Cord for remote readings.	8-15181-01067-6	5

- Plug CheckOUT or CheckOUT PRO circuit analyzers into 120 Volt standard or GFCI outlet. LCD light pattern indicates any wiring flaws. Push button for GFCI check.



 40 IN CORD
  cUL US LISTED

PIVI PLUG-IN VOLTAGE INDICATOR

Item#	Description	UPC	Pack Qty.
THP105	Plug-In Voltage Indicator	8-51890-00056-0	5

- Plug PIVI into any home or portable generator outlet. Read the voltage level output on the LED lights
- Voltage Readings: RED- Too High (over 132 Volts) = can damage home devices; GREEN-Good (108-132 Volts) = home devices are safe; AMBER- Too Low = can damage home devices.



24-Hour Mechanical Time Switches

Reliance Model Number	Intermatic Model Number	Nsi TORK Model Number	Type
Indoor Type 1 Metal Enclosures			
601	T101	1101	120 VAC SPST
602	T102	1102B	208-277 VAC SPST
603	T103	1103B	120 VAC DPST
604	T104	1104B	208-277 VAC DPST
605	T105	n/a	120 VAC SPDT 1 NO / 1 NC
606	n/a	n/a	208-277 VAC SPDT 1 NO / 1 NC
609	n/a	1109A	120/208-277 Volts Multi-Voltage
WH600	WH40	WH2B	208-277 VAC DPST Water Heater
Indoor/Outdoor Type 3R Polycarbonate Enclosures			
601P	T101P	1101B-P	120 VAC SPST
602P	T102P	n/a	208-277 VAC SPST
603P	T103P	1103B-P	120 VAC DPST
604P	T104P	1104B-P	208-277 VAC DPST
605P	n/a	n/a	120 VAC SPDT 1 NO / 1 NC
606P	n/a	n/a	208-277 VAC SPDT 1 NO / 1 NC
609P	n/b	1109AP	120/208-277 Volts Multi-Voltage
n/a	n/a	TU40	120/208-240/277 DPST
RC40D	GM40AV	TU40	24 hour 40 Amp 120-277 DPDT Universal Voltage Captured Tripper
RC40W	GM40AV-W	n.a	7 Day 40 Amp 120-277 DPDT Universal Voltage Captured Tripper
Indoor/Outdoor Type 3R Metal Enclosures			
601R	T101R	1101-O	120 VAC SPST
602R	T102R	n/a	208-277 VAC SPST
603R	T103R	1103B-O	120 VAC DPST
604R	T104R	1104B-O	208-277 VAC DPST
n/a	T106R	n/a	208-277 VAC SPDT 1 NO / 1 NC
n/a	n/a	1109A-O	120-277 VAC DPST
Replacement Mechanisms			
601M	T101M	1101BM-IAP	120 VAC SPST
603M	T103M	n/a	120 VAC DPST
604M	T104M	1104BM-IAP	208-277 VAC DPST
609M	n/a	1109AM-IAP	120/208 to 277 Volts Multi-Voltage
Accessories			
600RMC	2T511GA	9000B-O	Cabinet Enclosure Metal
600RPC	2T2500GA	9000-N	Cabinet Enclosure Polycarbonate
600CC	1101PCD82**	1101B-PC**	Clear Door Polycarbonate
RTP4	156T1978A	P47	Two ON/OFF Tripper Pairs
RM120	WG1570-10D	101	120 VAC Replacement Motor
RM240	WG1573-10D	201	208-277 VAC Replacement Motor
RM120277	n/a	n/a	120 208-277VAC Replacement Motor
Photo Controls			
Button And Wall-Mount Thermal			
P4021	K4021C	3000	Button 120 VAC
P4023	K4023C	3002	Button 208-277 VAC
P4021C	K4321C	3010	Button with Wallplate 120 VAC
P4023C	K4323C	n/a	Button with Wallplate 208-277 VAC
P4024	K4621D89	n/a	Button Mini 120 VAC
Fixed Position Stem Mount Thermal			
P4121	K4121C	2000*	Fixed Stem Side Lens 120 VAC
P4123	K4123C	2000-2*	Fixed Stem Side Lens 208-277 VAC
P4421	K4421M	2115	Fixed Position Side Lens (Aluminium) 120 VAC
P4423	K4423M	2116	Fixed Position Side Lens (Aluminium) 208-277 VAC
Swivel Stem Mount Thermal			
P4221	K4221C	2001*	Stem and Swivel Side Lens 120 VAC
P4223	K4223C	2002*	Stem and Swivel Side Lens 208-277 VAC

PRODUCT CROSS REFERENCE

Reliance Model Number	Intermatic Model Number	Nsi TORK Model Number	Type
P4251	K4251	2021	Stem and Swivel Top Lens 120 VAC
P4253	K4253	2022	Stem and Swivel Top Lens 208-277 VAC
Locking Mount Thermal			
P4521	LC4521	5001M	Locking Type 120 VAC
P4523	LC4523	5004M	Locking Type 208-277 VAC
P2000	ELC4536	5007M	Locking Type 105-305 VAC
Button and Wall Mount Electronic			
PE5051B	EK4036S	n/a	Flush Mount Button 120-277 VAC
PE5051BW	EK4336S	n/a	Button with Wall Plate 120-277 VAC
Fixed Position Stem Mount Electronic			
PE5051PF	EK4136S	n/a	Fixed Stem Top Lens 120-277 VAC
PE5051HF	EK4436SM	n/a	Fixed Stem Side Lens 120-277 VAC
Swivel Stem-Mount Electronic			
PE5051PS	EK4736S	n/a	Swivel Stem Top Lens 120-277 VAC
PE5051HS	EK4236S	n/a	Swivel Stem Side Lens 120-277 VAC
Locking Mount Electronic			
PE5021L	ELC4536	5237-UL	Locking Type 120-277 VAC
PE5051L	EK4536	n/a	Locking Type 120-277 VAC
PE5054L	EK4537	n/a	Locking Type 347-480VAC
PE5081L	LED4536SC	ZTL124	Locking Type 120-277 VAC
Locking Mount Receptacles and Cap			
P121	K121	2421	Receptacle Thin 125-480 VAC
P122	K122	2223	Receptacle Thick 125-480 VAC
P122M	K122M	2224	Receptacle Thick with Bracket 125-480 VAC
P4500	K4500	5500	Closed Shorting Cap 125-480 VAC
In-Wall Timers			
Springwound Countdown Timers			
WB015W	FD15MWC	A515MW	White 15 Min 120-277 VAC
WB015A	FD15MAC	A515MA	Almond 15 Min 120-277 VAC
WB015Y	FD15MC	A515M	Ivory 15 Min 120-277 VAC
WB015V	FF15MC	C515M	Silver 15 Min 120-277 VAC
WB030W	FD30MWC	A530MW	White 30 Min 120-277 VAC
WB030A	FD30MAC	A530MA	Almond 30 Min 120-277 VAC
WB030Y	FD30MC	A530M	Ivory 30 Min 120-277 VAC
WB030V	FF30MC	C530M	Silver 30 Min 120-277 VAC
WB060W	FD60MWC	A560MW	White 60 Min 120-277 VAC
WB060A	FD60MAC	n/a	Almond 60 Min 120-277 VAC
WB060Y	FD60MC	A560M	Ivory 60 Min 120-277 VAC
WB060V	FF60MC	C560M	Silver 60 Min 120-277 VAC
WB120W	N/A	A502HW	White 120 Min 120-277 VAC
Electronic Countdown Timers			
WEA030W	EI200W	n/a	White 5/10/15/30 Min 120 VAC
WEA030A	EI200LA	n/a	Almond 5/10/15/30 Min 120 VAC
WEA030Y	EI200	n/a	Ivory 5/10/15/30 Min 120 VAC
WEB060W	EI210W	D1060MW	White 10/20/30/60 Min 120 VAC
WEB060A	EI210LA	D1060LA	Almond 10/20/30/60 Min 120 VAC
WEB060Y	EI210	D1060M	Ivory 10/20/30/60 Min 120 VAC
WED720W	EI230W	D212HW	White 2/4/8/12 Hrs 120 VAC
WED720A	EI230LA	D212HA	Almond 2/4/8/12 Hrs 120 VAC
WED720Y	EI230	D212H	Ivory 2/4/8/12 Hrs 120 VAC
7-Day Programmable Timers			
WE7000W	EI500WC	SA170	White 7-Day 120 VAC
WE7000A	EI500LAC	n/a	Almond 7-Day 120 VAC
WE7000Y	EI500C	n/a	Ivory 7-Day 120 VAC

PRODUCT CROSS REFERENCE

Reliance Model Number	Intermatic Model Number	Nsi TORK Model Number	Type
7-Day Astronomic Programmable Timers			
WE7100W	ST700W	SS703Z	White 24 Hr / 7-Day 120 VAC
WE7100A	n/a	SS703ZA	Almond 24 Hr / 7-Day 120 VAC
WE7100Y	n/a	n/a	Ivory 24 Hr / 7-Day 120 VAC

Occupancy / Vacancy Sensors

Sensors			
1LNW	IOS-DOV-NL	WOS	Wall Mount 120V no/Neutral Nightlight
VOW	IOS-DOV-D	WOS-NM	Wall Mount 120V no/Neutral
VONW	IOS-DSR	WOS-M	Wall Mount 120V w/Neutral
VODW	IOS-DDR	WOS-M2R	Wall Mount 120V 2 Relay
VOCANW	IOS-HB-U	COS-M	Ceiling Mount 120V to 15 Ft.
VOHBNW	IOS-CMP-U	HOS-M	Fixture Mount 120V to 30 Ft.

Circuit Testers and Home Monitors

THP101	n/a	TES-NC	Voltage Tester- Non Contact
THP109	n/a	n/a	Circuit Breaker Locator with Analyzer
THP109MA	n/a	n/a	Circuit Breaker and Switch Locator
THP207M	n/a	n/a	Power Failure Light and Alarm
THP111	n/a	n/a	Key Appliance Power Failure Alarm
THP205	n/a	n/a	Sump Pump Flood Alarm
THP103	n/a	n/a	Digital Appliance Load Tester
THP108	n/a	n/a	Utility Power Return Alert
THP102	n/a	n/a	Circuit Analyzer and GFCI Check 12" Corded
THP102P	n/a	n/a	Circuit Analyzer and GFCI Check 40" Corded
THP105	n/a	n/a	Plug in Voltage Meter



RelianceControls.com