

# RELIANCE PRO/TRAN® SIGNA™ SERIES TRANSFER SWITCH

MODEL NO: **C20A2**

**ELECTRICAL RATING:** 20 Amps., 125/250 VAC, 50/60 Hz.

**5 KA SHORT CIRCUIT WITHSTAND TYPE 3R ENCLOSURE**

SUITABLE FOR USE IN ACCORDANCE WITH ARTICLE 702 OF THE NATIONAL ELECTRICAL CODE, ANSI/NFPA 70. THIS PRODUCT MEETS OR EXCEEDS ALL REQUIREMENTS OF UL1008 STANDARD FOR TRANSFER SWITCHES.

## WIRING

**IMPORTANT: 1. DISCONNECT ALL ELECTRICAL SUPPLY SOURCES BEFORE INSTALLATION AND WHEN SERVICING CONNECTED EQUIPMENT OR CIRCUITS. 2. POWER TO THIS TRANSFER SWITCH MUST BE SUPPLIED THROUGH A SUITABLE OVERLOAD PROTECTION DEVICE.**

Remove the two screws that hold the front plate in place, and tilt the front plate forward.

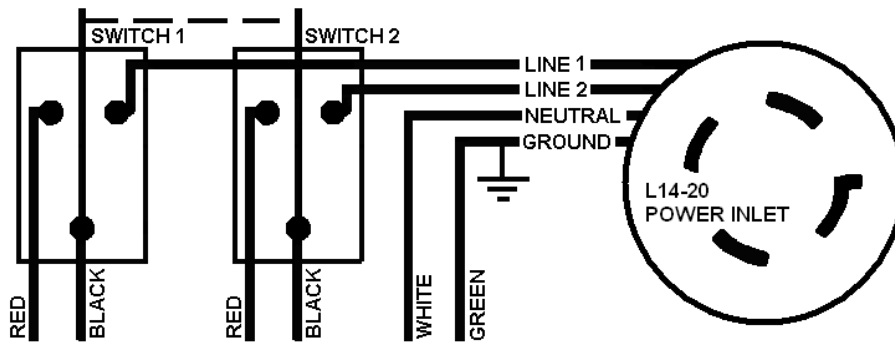
Four color-coded wire leads are provided. They are to be connected as follows:

**RED:** To utility power circuit breaker, 20 A max, 125/250 VAC.

**WHITE:** To neutral.

**BLACK:** To load, 125/250V VAC

**GREEN:** To ground bar or terminal.



Replace front plate when wiring is completed.

## USING THE RELIANCE TRANSFER SWITCH WITH A GENERATOR

THIS RELIANCE TRANSFER SWITCH IS NOT FOR "DO-IT-YOURSELF" INSTALLATION. Installer must be thoroughly familiar with electrical wiring systems. This Reliance Transfer Switch is designed to provide, in the event of a utility power outage, a safe and simple method of powering either two 125 volt or one 250 volt circuit from a portable generator with a 125/250 VAC output. The two handle-tied SPDT selector switches will feed the circuit load from either the utility or the generator, and prevent backfeeding of one source from another.

## KEY COMPONENTS OF THE TRANSFER SWITCH

**SELECTOR SWITCHES.** Selects either "LINE" (utility) or "GEN" (generator) as the source feeding the circuit load.

**POWER INLET.** NEMA L14-20 configuration. Inputs power from the portable generator.

## TRANSFERRING FROM UTILITY POWER TO GENERATOR POWER

1. Move the selector switch handle to the "OFF" or "LINE" position.
2. Insert the male power cord plug into the appropriate outlet on the generator. If locking receptacle is used, rotate to lock.
3. Insert the female power cord connector into the power inlet located on the lower face of the transfer switch. Rotate to lock.
4. Start the generator, following the procedures described in the generator owner's manual furnished by the generator manufacturer.
5. Move the selector switch knob to the "GEN" position to energize load from generator.

## TRANSFERRING FROM GENERATOR POWER BACK TO UTILITY POWER

1. Move the selector switch handle to the "LINE" position to energize load from utility.
2. Follow the procedures in the generator owner's manual to turn off the generator.
3. Disconnect the power cord.



RELIANCE CONTROLS CORPORATION  
2001 Young Court Racine, WI 53404