

RELIANCE[®]

CONTROLS



TRANSFER SWITCHES

Manual switch gear for portable generators and other back-up power sources.





ELECTRICAL INNOVATION SINCE 1909

Reliance Controls Corporation has been manufacturing high-quality electrical products since 1909. We have built a strong reputation not only for the quality of our products, but also the manner in which we conduct our business. We strive to exceed the expectations of our customers.

Reliance introduced the first two transfer switches engineered specifically for portable generators in 1983. Today we offer over 500 manual transfer switches, transfer

panels and generator-ready load centers. Added to this offering is a broad selection of accessories including power inlet boxes, generator cords, wattmeter boxes and wiring devices. Reliance is the leading manufacturer of manual transfer equipment for portable generators.

We continue to broaden our line with innovative products of exceptional quality.



All Transfer switches in this catalog are listed by Underwriters Laboratories Inc. and are suitable for use in accordance with article 702 of the National Electric Code ANSI/NFPA 70.

CONTENTS



Pro-Tran2® Back-Up Power Transfer Equipment 4

- 204 8
- 304 8
- 206 9
- 506 9
- 306 9
- 308 10
- 508 10
- 310 11
- 510 11
- K2F06 11
- K2F10 11
- R306 12
- R304 12
- R506 12
- R308 13
- R310 13
- R510 13
- RN304 14
- RN306 14
- RN506 14
- PB-Series 16
- PR-Series 17
- PBN-Series 17
- 306CRK 19
- 310CRK 19
- 306CDK 20
- 306CDKN 20
- 310CDK 21
- 310CDKN 21

Cords & Devices 22

- Molded Cord Sets 24
- Molded Cord Sets 24
- Assembled Cord Sets 25
- Assembled Cord Sets 26
- Assembled Cord Sets 27
- Plugs, Connectors & Inlets 28
- Plugs, Connectors & Inlets 29

Panel/Link® Generator-Ready Load Centers 30

- TCA - Indoor 32
- TCA - Outdoor 33
- TRB - Indoor 34
- TRB - Outdoor 35
- TRH - Indoor 36
- TRH - Outdoor 37
- TRK - Indoor 38
- TRK - Outdoor 39
- TTH - Indoor 40
- TTH - Outdoor 41
- TTR - Indoor 42
- TWB - Outdoor 43
- TTV - Indoor 44
- TTV - Outdoor 45

X Series Manual Transfer Panels 46

- XRH - Indoor 48
- XRH - Outdoor 49
- XRK - Indoor 50
- XRK - Outdoor 51
- XRR - Indoor 52
- XRR - Outdoor 53
- PK-Series 54

PRO/TRAN[®] 2

TRANSFER SWITCHES

Manual switch gear for portable generators and other back-up power sources.

Icon Legend

4
CIRCUIT

Transfer switch contains 4 - 120V circuits*

6
CIRCUIT

Transfer switch contains 6 - 120V circuits*

8
CIRCUIT

Transfer switch contains 8 - 120V circuits*

10
CIRCUIT

Transfer switch contains 10 - 120V circuits*

20^{AMP}

Suitable for use with 20A, 125/250V input

30^{AMP}

Suitable for use with 30A, 125/250V input

50^{AMP}

Suitable for use with 50A, 125/250V input

C

L14-20 Input

C

L14-30 Input

H

14-50 Input

S

CS6364, CS6365, CS6375 Input

M
METAL

Product is made from metal

NM
NONMETAL

Product is made from ABS plastic

m
MOLDED

Cord has completely sealed (non-removable) molded plug & connector ends

a
ASSEMBLED

Cord has assembled (removable) plug & connector ends

PC

Product is made from Powder Coated Steel

NEMA 3R
Rated

Product is weather proof / NEMA 3R Rated

X

Product is made from a high-impact UV-Coated plastic

6

6-gauge conductors

10

10-gauge conductors

12

12-gauge conductors

T

Product has a turn-to-lock connection type

S

Product has a straight-blade connection type

* Models come factory wired with a combination of 120V and 240V circuits

KEEPING YOUR HOME POWERED UP WHEN YOU NEED IT MOST

BACK-UP POWER TRANSFER EQUIPMENT



6
CIRCUIT

ASSEMBLED IN
USA

PRO/TRAN[®] 2

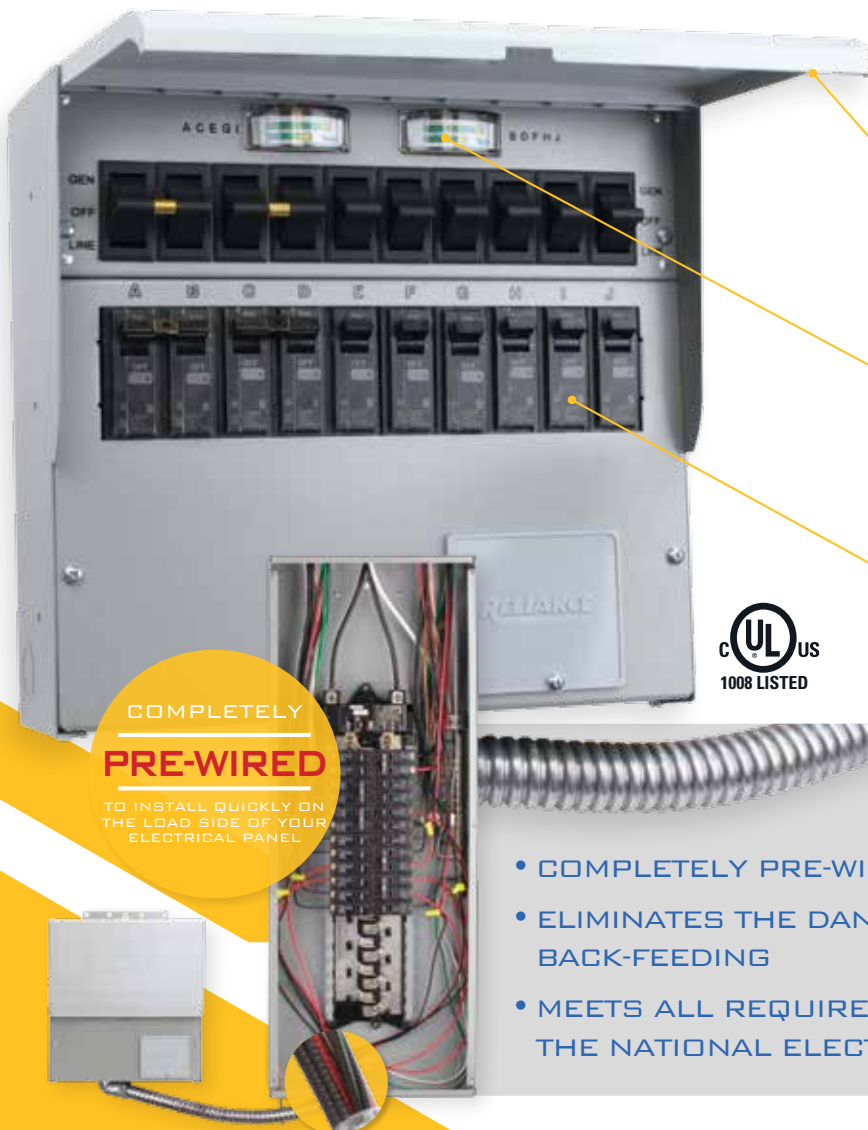
Reliance Controls' new Pro/Tran[®] 2 line of Loadside™ transfer switches features all the benefits which made the original Pro/Tran[®] an industry-leading product for over 30 years, while incorporating a number of new features to give our customers exactly what they are looking for.

All models are suitable for use with any UL Listed 1-inch interchangeable

circuit breaker. They are UL Listed for all popular brands and types of breakers, including AFCI and GFCI. They can be easily re-configured in the field for multiple double-pole circuits if needed. All models include a swing-up protective cover which provides a finished appearance. Optional new color-coded watt meters are included on many models and assist in balancing the generator load. Like all Reliance

Pro/Tran[®] transfer switches, the Pro/Tran2[®] is completely pre-wired for fast installation.

The Pro/Tran2[®] series is UL Listed to Standard 1008 and is suitable for use in accordance with Article 702 of the National Electrical Code ANSI/NFPA 70.



COVER INCLUDED TO PROTECT TOGGLE SWITCHES AND CIRCUIT BREAKERS.

NEW COLOR-CODED WATT METERS TO HELP BALANCE GENERATOR LOAD.

ONE-INCH CIRCUIT BREAKERS MAKE CHANGING CIRCUIT SIZES SIMPLE.

PLEASE NOTE:
A & B CIRCUITS MAX 30A, ALL ELSE MAX 20A

COMPLETELY
PRE-WIRED

TO INSTALL QUICKLY ON
THE LOAD SIDE OF YOUR
ELECTRICAL PANEL

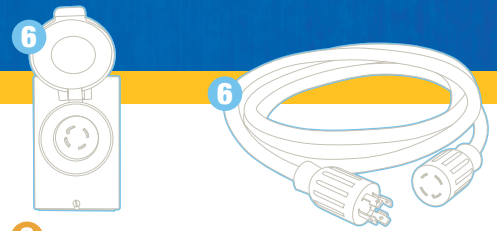
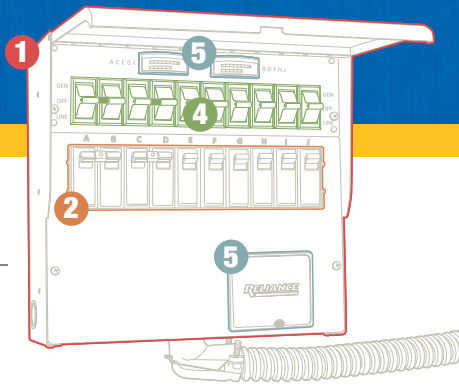
- COMPLETELY PRE-WIRED FOR EASY INTALLATION
- ELIMINATES THE DANGER ASSOCIATED WITH BACK-FEEDING
- MEETS ALL REQUIREMENTS OF ARTICLE 702 OF THE NATIONAL ELECTRICAL CODE

MODEL NUMBER BREAKDOWN

SAMPLE MODEL NO.

RN A 3 10 C DK

1 2 3 4 5 6



1 CABINET

NONE = Indoor cabinet
R = Raintight cabinet
RN = Raintight Non-Metallic

2 BRANCH CIRCUIT AMPERAGE

NONE = 20 amp DP breaker in A and B position
A = 30 amp DP breaker in A and B position

3 CAPACITY (GENERATOR OUTPUT)

1 = 15 amps @ 125 volts
2 = 20 amps @ 125/250 volts
3 = 30 amps @ 125/250 volts
5 = 50 amps @ 125/250 volts

4 CIRCUITS

04 = 4 single pole
06 = 6 single pole or 3 double pole
08 = 8 single pole or 4 double pole
10 = 10 single pole or 5 double pole

5 CONFIGURATION

A = Watt meters and power inlet
B = Power inlet, no watt meters
C = Watt meters, no power inlet
D = No watt meters, no power inlet

6 ACCESSORIES / OPTIONS

NONE = Transfer switch only
RK = Transfer switch + metal inlet box (PB30) + 10 ft. power cord (PC3010)
DK = Transfer switch + metal inlet box (PB30) + 20 ft. power cord (PC3020)
DKN = Transfer switch + non-metallic inlet box (PBN30) + 20 ft. power cord (PC3020)
1 = 125V Transfer Switch

PRO/TRAN TO PRO/TAN 2 CROSS REFERENCE

Pro/Tran Model No.	Pro/Tran 2 Equivalent
15114A	104B1
20216A	206A
30216A	306A
30310A	310A
30408B	308C
30508B	308A
31404B	304D
31406B	306D
31406C	306C
31406CRK	306CRK
31406CDK	306CDK
31406CDKN	306CDKN
31410B	310D
31410C	310C
31410CRK	310CRK
31410CDK	310CDK
31410CDKN	310CDKN
50408B	508C
51406B	506D
51406C	506C
51410B	510D
51410C	510C
R15114B	R104B1
R20216B	R206A
R30216B	R306A
R30310B	R310A
R50216B	R506A
R50310B	R510A
Q306A	A306A
Q306C	A306C
Q310A	A310A
Q310C	A310C
Q506A	A506A
Q506C	A506C
Q510A	A510A
Q510C	A510C



204

TRANSFER SWITCH

- Completely pre-wired
- Easy toggle switch controls
- Interchangeable 1" circuit breakers
- Swing up protective cover

4 M ⊙ **20**^{AMP} PC POWDER COATED STEEL
CIRCUIT METAL

Model#	Meters	Inlet	Dimensions (H x W x D)	Shipping Wgt.	UPC
204A	•	L14-20	11.25 x 7.75 x 4.5	12.6	8-15181-01324-0
204B		L14-20	11.25 x 7.75 x 4.5	12.2	8 15181-01325-7



304

TRANSFER SWITCH

4 M ⊙ **30**^{AMP} PC POWDER COATED STEEL
CIRCUIT METAL

Model#	Meters	Inlet	Dimensions (H x W x D)	Shipping Wgt.	UPC
304A	•	L14-30	11.25 x 7.75 x 4.5	12.6	8-15181-01258-8
304B		L14-30	11.25 x 7.75 x 4.5	12.2	8-15181-01259-5
304C	•		11.25 x 7.75 x 4.5	12.1	8-15181-01260-1
304D			11.25 x 7.75 x 4.5	12	8-15181-01261-8



*Add prefix "A" to any model for a factory installed 2-pole 30A circuit breaker in A&B position.


**Add suffix "1" to any model for a 125V version of that transfer switch (excludes some models, see specification catalog or call for more details).

INDOOR

SURFACE MOUNT / TRANSFER SWITCHES


INDOOR TRANSFER SWITCHES

206 TRANSFER SWITCH

M METAL **6** CIRCUIT
 AMP **20** 
 POWDER COATED STEEL **Pc**



306 TRANSFER SWITCH

M METAL **6** CIRCUIT
 AMP **30** 
 POWDER COATED STEEL **Pc**



Model#	Meters	Inlet	Dimensions (H x W x D)	Shipping Wgt.	UPC
206A	•	L14-20	11.25 x 7.75 x 4.5	13.2	8-15181-01225-0
206B		L14-20	11.25 x 7.75 x 4.5	12.8	8-15181-01315-8
306A	•	L14-30	11.25 x 7.75 x 4.5	13	8-15181-01226-7
306B		L14-30	11.25 x 7.75 x 4.5	12.8	8-15181-01227-4
306C	•		11.25 x 7.75 x 4.5	12.7	8-15181-01228-1
306D			11.25 x 7.75 x 4.5	12.5	8-15181-01229-8

506 TRANSFER SWITCH

POWDER COATED STEEL **Pc** AMP **50**  **M** METAL **6** CIRCUIT



Model#	Meters	Inlet	Dimensions (H x W x D)	Shipping Wgt.	UPC
506A	•	CS6375	11.25 x 7.75 x 4.5	13.2	8-15181-01230-4
506B		CS6375	11.25 x 7.75 x 4.5	13	8-15181-01231-1
506C	•		11.25 x 7.75 x 4.5	12.7	8-15181-01232-8
506D			11.25 x 7.75 x 4.5	12.7	8-15181-01233-5



*Add prefix "A" to any model for a factory installed 2-pole 30A circuit breaker in A&B position.

**Add suffix "1" to any model for a 125V version of that transfer switch (excludes some models, see specification catalog or call for more details).





308

TRANSFER SWITCH

- No additional feeder breakers required
- Flexible conduit whip with fittings
- Hassle free 5 year warranty

8 M 30 AMP PC POWDER COATED STEEL
CIRCUIT METAL

Model#	Meters	Inlet	Dimensions (H x W x D)	Shipping Wgt.	UPC
308A	•	L14-30	11.25 x 11.75 x 4.5	17.2	8-15181-01242-7
308B		L14-30	11.25 x 11.75 x 4.5	17	8-15181-01243-4
308C	•		11.25 x 11.75 x 4.5	16.9	8-15181-01244-1
308D			11.25 x 11.75 x 4.5	16.7	8-15181-01245-8



508

BACK-UP POWER / TRANSFER SWITCH

8 M 50 AMP PC POWDER COATED STEEL
CIRCUIT METAL

Model#	Meters	Inlet	Dimensions (H x W x D)	Shipping Wgt.	UPC
508A	•	CS6375	11.25 x 11.75 x 4.5	17.2	8-15181-01246-5
508B		CS6375	11.25 x 11.75 x 4.5	17	8-15181-01247-2
508C	•		11.25 x 11.75 x 4.5	16.9	8-15181-01248-9
508D			11.25 x 11.75 x 4.5	16.7	8-15181-01249-6



*Add prefix "A" to any model for a factory installed 2-pole 30A circuit breaker in A&B position.


**Add suffix "1" to any model for a 125V version of that transfer switch (excludes some models, see specification catalog or call for more details).

INDOOR

SURFACE MOUNT / TRANSFER SWITCHES


INDOOR TRANSFER SWITCHES

310 TRANSFER SWITCH

M METAL **10** CIRCUIT
AMP **30** 
POWDER COATED STEEL **Pc**



510 TRANSFER SWITCH

M METAL **10** CIRCUIT
AMP **50** 
POWDER COATED STEEL **Pc**



Model#	Meters	Inlet	Dimensions (H x W x D)	Shipping Wgt.	UPC
310A	•	L14-30	11.25 x 11.75 x 4.5	18.5	8-15181-01209-0
310B		L14-30	11.25 x 11.75 x 4.5	18.3	8-15181-01210-6
310C	•		11.25 x 11.75 x 4.5	18.2	8-15181-01211-3
310D			11.25 x 11.75 x 4.5	18.1	8-15181-01212-0
510A	•	CS6375	11.25 x 11.75 x 4.5	18.5	8-15181-01213-7
510B		CS6375	11.25 x 11.75 x 4.5	18.3	8-15181-01214-4
510C	•		11.25 x 11.75 x 4.5	18.2	8-15181-01205-2
510D			11.25 x 11.75 x 4.5	18.1	8-15181-01216-8



*Add prefix "A" to any model for a factory installed 2-pole 30A circuit breaker in A&B position.

**Add suffix "1" to any model for a 125V version of that transfer switch (excludes some models, see specification catalog or call for more details).

K2F06 FLUSH MOUNTING KIT

M METAL **FITS ALL**
4 CIRCUIT **6** CIRCUIT
POWDER COATED STEEL **Pc**



K2F10 FLUSH MOUNTING KIT

M METAL **FITS ALL**
8 CIRCUIT **10** CIRCUIT
POWDER COATED STEEL **Pc**



FLUSH FIT KITS

Model#	Dimensions (H x W x D)	Shipping Wgt.	UPC
K2F06	16" H x 12.54" W	4.4	8-15181-01117-8
K2F10	16" H x 16.54" W	4.9	8-15181-01118-5





R304

TRANSFER SWITCH

4 CIRCUIT **M** METAL **30** AMP

NEMA 3R Rated **Pc** POWDER COATED STEEL

- Raintight, lockable cabinets
- Completely pre-wired
- Easy toggle switch controls
- Liquid-tight conduit and fittings
- Bottom mounted inlet with flip cover

Model#	Meters	Inlet	Dimensions (H x W x D)	Shipping Wgt.	UPC
R304A	•	L14-30	13 x 8 x 5	17.7	8-15181-01284-7
R304B		L14-30	13 x 8 x 5	17.5	8-15181-01286-1



R306

TRANSFER SWITCH

6 CIRCUIT **M** METAL **30** AMP

NEMA 3R Rated **Pc** POWDER COATED STEEL



R506

TRANSFER SWITCH

6 CIRCUIT **M** METAL **50** AMP

NEMA 3R Rated **Pc** POWDER COATED STEEL

Model#	Meters	Inlet	Dimensions (H x W x D)	Shipping Wgt.	UPC
R306A	•	L14-30	13 x 8 x 5	18.3	8-15181-01278-6
R306B		L14-30	13 x 8 x 5	18.1	8-15181-01289-2
R506A	•	CS6375	13 x 8 x 5	18.5	8-15181-01281-6
R506B		CS6375	13 x 8 x 5	18.3	8-15181-01294-6



*Add prefix "A" to any model for a factory installed 2-pole 30A circuit breaker in A&B position.

**Add suffix "1" to any model for a 125V version of that transfer switch (excludes some models, see specification catalog or call for more details).

OUTDOOR

SURFACE MOUNT / TRANSFER SWITCHES

OUTDOOR TRANSFER SWITCHES

R308 TRANSFER SWITCH



AMP **30** **M** **8**
METAL CIRCUIT

POWDER COATED STEEL **NEMA 3R**
Rated

Model#	Meters	Inlet	Dimensions (H x W x D)	Shipping Wgt.	UPC
R308A	•	L14-30	13 x 12 x 5	24.8	8-15181-01291-5
R308B		L14-30	13 x 12 x 5	24.6	8-15181-01292-2
R508A	•	CS6375	13 x 12 x 5	25	8-15181-01295-3
R508B		CS6375	13 x 12 x 5	24.8	8-15181-01296-0

R310 TRANSFER SWITCH

M **10**
METAL CIRCUIT

AMP **30**

NEMA 3R
Rated

POWDER COATED STEEL



R510 TRANSFER SWITCH

M **10**
METAL CIRCUIT

AMP **50**

NEMA 3R
Rated

POWDER COATED STEEL



Model#	Meters	Inlet	Dimensions (H x W x D)	Shipping Wgt.	UPC
R310A	•	L14-30	13 x 12 x 5	25.3	8-15181-01279-3
R310B		L14-30	13 x 12 x 5	25.1	8-15181-01293-9
R510A	•	CS6375	13 x 12 x 5	25.6	8-15181-01282-3
R510B		CS6375	13 x 12 x 5	25.4	8-15181-01297-7



*Add prefix "A" to any model for a factory installed 2-pole 30A circuit breaker in A&B position.

**Add suffix "1" to any model for a 125V version of that transfer switch (excludes some models, see specification catalog or call for more details).



Introducing the first combination indoor / outdoor transfer switch



RN304
TRANSFER SWITCH

4 **NM** **30**^{AMP}
CIRCUIT NON-METAL

- Sleek newly designed ABS plastic cabinet
- Swing-up raintight, lockable swing-up cover
- New illumined watt meters
- Patented POP-Fast™ reusable knockouts
- Liquid-tight conduit and fittings
- Completely pre-wired

Model#	Meters	Inlet	Dimensions (H x W x D)	Shipping Wgt.	UPC
RN304C	•		14.7 x 9.5 x 2.5	17.7	8-15181-01326-4
RN304D			14.7 x 9.5 x 2.5	17.5	8-15181-01327-1



RN306
TRANSFER SWITCH

6 **NM** **30**^{AMP}
CIRCUIT NON-METAL

NEMA 3R
Rated

HIGH IMPACT ABS PLASTIC



RN506
TRANSFER SWITCH

6 **NM** **50**^{AMP}
CIRCUIT NON-METAL

NEMA 3R
Rated

HIGH IMPACT ABS PLASTIC

Model#	Meters	Inlet	Dimensions (H x W x D)	Shipping Wgt.	UPC
RN306C	•		14.7 x 9.5 x 2.5	18.3	8-15181-01328-8
RN306D			14.7 x 9.5 x 2.5	18.1	8-15181-01329-5
RN506C	•		14.7 x 9.5 x 2.5	18.5	8-15181-01330-1
RN506D			14.7 x 9.5 x 2.5	18.3	8-15181-01331-8



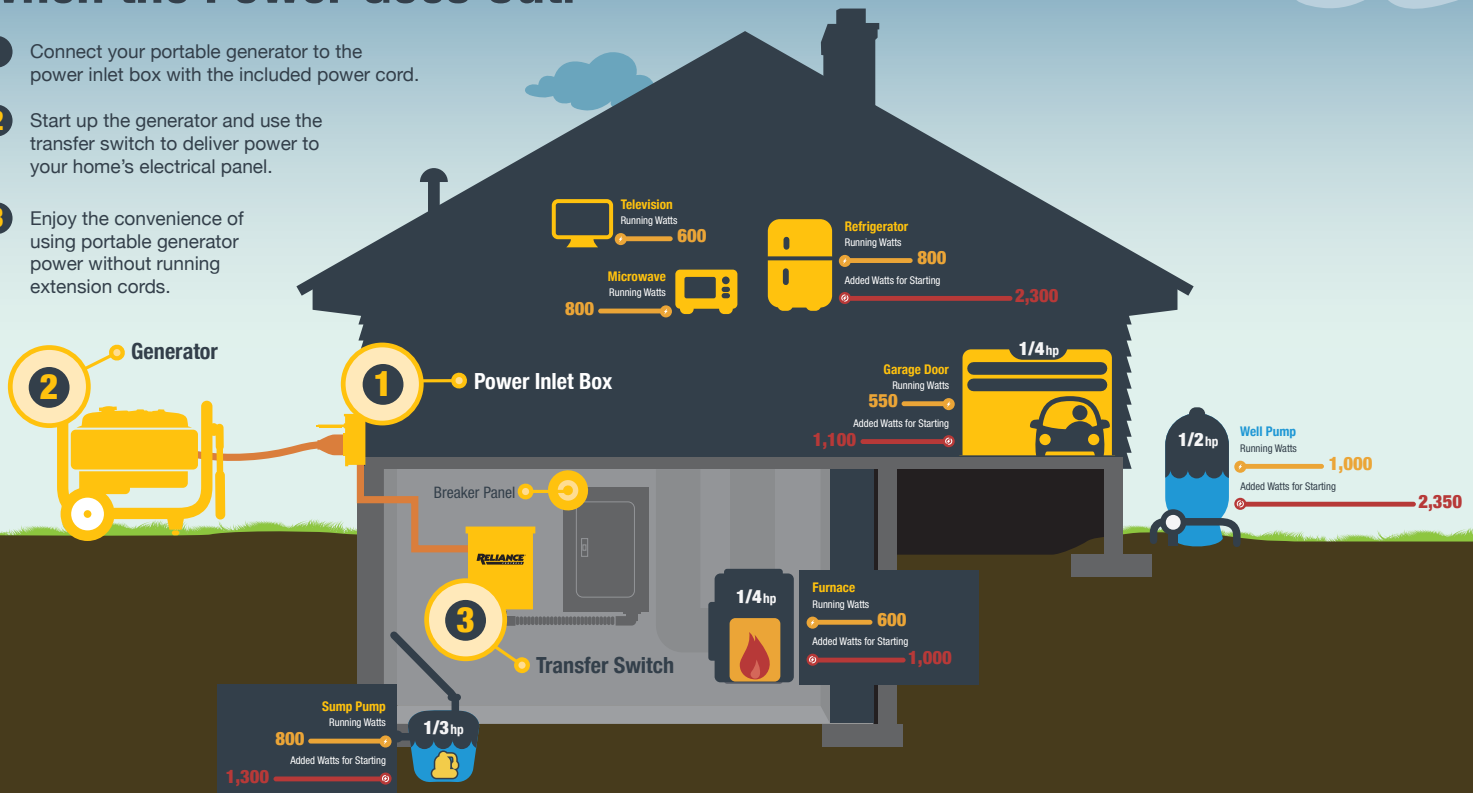
*Add prefix "A" to any model for a factory installed 2-pole 30A circuit breaker in A&B position.

**Add suffix "1" to any model for a 125V version of that transfer switch (excludes some models, see specification catalog or call for more details).



When the Power Goes Out:

- 1 Connect your portable generator to the power inlet box with the included power cord.
- 2 Start up the generator and use the transfer switch to deliver power to your home's electrical panel.
- 3 Enjoy the convenience of using portable generator power without running extension cords.



FIVE SOLID REASONS WHY PRO/TRAN[®] 2 IS THE ONLY LOGICAL CHOICE

1) LOW COST.

Surprisingly low. A fraction of the cost of a DPDT switch, subpanel, power inlet, fittings, conduit, circuit breakers and wire. Pro/Tran 2 transfer switches combine all these elements in a single, compact, ready-to-install unit.

2) FAST INSTALLATION.

Extremely fast. That's because every Pro/Tran 2 transfer switch is completely prewired. Simply attach the conduit, mount the cabinet, make the necessary connections in the load center and it's ready to use.

3) SAFE OPERATION.

Ultimately safe. The double-throw, break-before-make switch action of each Pro/Tran 2 circuit keeps the generator isolated from the utility at all times. This eliminates the danger of backfeeding the utility and causing injury to repair crews as well as preventing utility power from feeding into the generator and causing damage or personal injury.

4) EASY TO USE.

Remarkably easy. Plug the generator cord into the Pro/Tran 2, or the optional power inlet box, start the generator and move the switches on the Pro/Tran 2 from LINE to GEN. Now you have power to your critical circuits.

5) EXCEPTIONAL QUALITY.

Quite Exceptional. Every Pro/Tran 2 component is manufactured to exacting specifications and tested before assembly. Each completed Pro/Tran 2 is thoroughly tested before shipment from the factory. This exceptional level of quality is backed by an exclusive five-year limited warranty.

Your generator was designed to power much more of your home than extension cords can connect.

A generator's 20, 30 and 50 amp receptacles were designed specifically to connect to your home via a transfer switch.

A transfer switch is the ONLY safe way to harness your generator's power and conveniently control each of the home circuits you will need in an emergency.



PB-SERIES

POWER INLET BOXES



NEMA 3R
Rated



Model#	Amps	Rating, VAC	Config	Dimensions (H x W x D)	Shipping Wgt.	UPC
PB15	15A Ⓜ	15A@125V	5-15	6 x 3.75 x 3.25	2	8-15181-01338-7
PB20	20A Ⓞ	20A@125/250V	L14-20	6 x 3.75 x 3.25	2	8-51890-00007-2
PB30	30A Ⓞ	30A@125/250V	L14-30	6 x 3.75 x 3.25	2	8-51890-00008-9
PB31	30A Ⓞ	30A@125V	L5-30	6 x 3.75 x 3.25	2	8-15181-01339-4
PB50	50A Ⓞ	50A@125/250V	CS6375	6 x 3.75 x 3.25	2	8-51890-00028-7
PB51	50A Ⓞ	50A@125V	CS6377	6 x 3.75 x 3.25	2	8-15181-01340-0

The Raintight NEMA 3R power inlet box is designed for use with any transfer switch, generator-ready load center, as well as many stand-alone applications. The power inlet box is usually installed outdoors, in an area where the generator is being used. Using one of the four combination 1/2-inch and 3/4-inch knockouts (One on each side, bottom and back) the power inlet box can be wired directly to the transfer switch or panel. The exclusive patented design provides generous wiring space and facilitates rough-in.

POWER INLET BOXES

PR-SERIES POWER INLET BOXES



Model#	Amps	Rating, VAC	Config	Dimensions (H x W x D)	Shipping Wgt.	UPC
PR20	20A Ⓢ	20A@125/250V	L14-20	8.75 x 6.75 x 5.5	6.2	8-15181-01341-7
PR30	30A Ⓢ	30A@125/250V	L14-30	8.75 x 6.75 x 5.5	6.2	8-15181-01032-4
PR50	50A Ⓢ	50A@125/250V	CS6375	8.75 x 6.75 x 5.5	6.3	8-15181-01342-4

Similar to the PB-Series power inlet box, the PR-Series is designed to help facilitate the connection of a back-up power source to a home. The PR-Series is unique in that it also features a circuit breaker that matches the amperage of the power inlet.

PBN-SERIES POWER INLET BOXES



Model#	Amps	Rating, VAC	Config	Dimensions (H x W x D)	Shipping Wgt.	UPC
PBN15	15A Ⓢ	15A@125V	5-15	6.25 x 6.25 x 4.6	2	8-15181-01343-1
PBN20	20A Ⓢ	20A@125/250V	L14-20	6.25 x 6.25 x 4.6	2	8-15181-01070-6
PBN30	30A Ⓢ	30A@125/250V	L14-30	6.25 x 6.25 x 4.6	2	8-15181-01071-3
PBN31	30A Ⓢ	30A@125V	L5-30	6.25 x 6.25 x 4.6	2	8-15181-01344-8
PBN50	50A Ⓢ	50A@125/250V	CS6375	6.25 x 6.25 x 4.6	2	8-15181-01072-0
PBN51	50A Ⓢ	50A@125V	CS6377	6.25 x 6.25 x 4.6	2	8-15181-01345-5
PBN52	50A Ⓢ	50A@125/250V	14-50	6.25 x 6.25 x 4.6	2	8-15181-01752-1

The PBN Series features an exclusive POP-FAST™ 3/4" knockout design that makes for exceptionally fast installation. The interior provides over 100 cubic inches of wiring space. The slide-out base permits easy 360° access to the terminals of the flanged inlet for fast wiring. The through-bolt design is held in place with two 4-1/8" JS500 screws. A water-resistant and bug-proof inlet cover comes standard on all models.

Transfer Switch Kits for a Retail Store

FOR GENERATORS
UP TO
7500
RUNNING WATTS

Complete turn-key kit has everything needed to make a professional transfer switch installation in a home or office, enabling the wiring system of the building to accept the full power of a portable generator to run multiple electrical appliances and devices during a power outage. For generators with NEMA L14-30 or L14-20 power outlet. These kits are packaged in vivid 4 color retail packaging and include our industry leading 30A 6-circuit or 10-Circuit prewired loadside transfer switch with built-in wattmeters, 30A outdoor power cord inlet box, 30A 10-foot generator power cord w/ L14-30 molded ends and all required wire connectors. Reliance Controls transfer switches are cULus1008 Listed, assembled in the USA and carry a 5-year warranty.



TRANSFER SWITCH KITS

BACK-UP POWER / TRANSFER EQUIPMENT

TRANSFER SWITCH KITS

INCLUDED
IN KIT

PC3010
10-FOOT OUTDOOR
POWER CORD



PB30
OUTDOOR POWER
INLET BOX



306CRK SIX-CIRCUIT KIT

306C
BACK-UP POWER /
TRANSFER SWITCH



Meters	Inlet	Dimensions (H x W x D)	Shipping Wgt.	UPC
•	•	18 x 19 x 6	18.8	8-15181-01200-7

INCLUDED
IN KIT

PC3010
10-FOOT OUTDOOR
POWER CORD



PB30
OUTDOOR POWER
INLET BOX



310CRK TEN-CIRCUIT KIT

310C
BACK-UP POWER /
TRANSFER SWITCH



Meters	Inlet	Dimensions (H x W x D)	Shipping Wgt.	UPC
•	•	26 x 19 x 5	24.1	8-15181-01202-1



Transfer Switch Kits for Non-Retail Environments

FOR GENERATORS
UP TO
7500
RUNNING WATTS

Provide fast, safe and easy connection of emergency power to a home, office, store or farm. These manual transfer switch kits are designed specifically for the professional electrician. Each kit provides everything needed to connect any generator with a 125/250VAC 20A or 30A locking outlet to a residential or light commercial load center. These kits include a six- or ten-circuit Pro/Tran2 manual transfer switch, a 30A, 125/250VAC power inlet box, a 20-foot, 30A, 125/250VAC outdoor rated generator cord and wire connectors. The non-metallic power inlet box version is perfect for coastal areas where salt air is an issue. Reliance Controls transfer switches are cUL1008 Listed, assembled in the USA and carry a 5-year warranty.

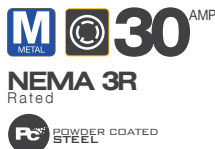


306CDK SIX-CIRCUIT KIT

306C
BACK-UP POWER /
TRANSFER SWITCH



PB30
OUTDOOR POWER
INLET BOX



PC3020
20-FOOT OUTDOOR
POWER CORD



INCLUDED
IN KIT

Meters	Inlet	Dimensions (H x W x D)	Shipping Wgt.	UPC
•	•	18 x 19 x 6	22.85	8-15181-01266-3



306CDKN SIX-CIRCUIT KIT

306C
BACK-UP POWER /
TRANSFER SWITCH



PBN30
OUTDOOR POWER
INLET BOX



PC3020
20-FOOT OUTDOOR
POWER CORD



INCLUDED
IN KIT

Meters	Inlet	Dimensions (H x W x D)	Shipping Wgt.	UPC
•	•	18 x 19 x 6	22.75	8-15181-01267-0

TRANSFER SWITCH KITS

BACK-UP POWER / TRANSFER EQUIPMENT

TRANSFER SWITCH KITS

INCLUDED
IN KIT

PC3020
20-FOOT OUTDOOR
POWER CORD
AMP **30** **m** MOULDED
GAUGE CONDUCTORS **10**

PB30
OUTDOOR POWER
INLET BOX
AMP **30** **M** METAL
NEMA 3R
Rated
POWDER COATED STEEL **PC**

310CDK TEN-CIRCUIT KIT

310C
BACK-UP POWER /
TRANSFER SWITCH
M 10 METAL CIRCUIT
AMP **30** **PC**
POWDER COATED STEEL



Meters	Inlet	Dimensions (H x W x D)	Shipping Wgt.	UPC
•	•	26 x 19 x 5	28.5	8-15181-01207-6

INCLUDED
IN KIT

PC3020
20-FOOT OUTDOOR
POWER CORD
AMP **30** **m** MOULDED
GAUGE CONDUCTORS **10**

PBN30
OUTDOOR POWER
INLET BOX
AMP **30** **NM** NON-METAL
NEMA 3R
Rated
HIGH IMPACT
ABS PLASTIC **X**

310CDKN TEN-CIRCUIT KIT

310C
BACK-UP POWER /
TRANSFER SWITCH
M 10 METAL CIRCUIT
AMP **30** **PC**
POWDER COATED STEEL



Meters	Inlet	Dimensions (H x W x D)	Shipping Wgt.	UPC
•	•	26 x 19 x 5	28.4	8-15181-01208-3

*Add prefix "A" to any model for 2-pole 30A in A&B position.





CORDS & DEVICES

Heavy-duty Plugs, Connectors & Inlets

CONNECT YOUR BACK-UP POWER WITH CONFIDENCE

GORDS & DEVICES





MOLDED CORD SETS



20 AMP



GAUGE
CONDUCTORS

Model#	Amps	Rating, VAC	Length/Ft.	Config	Shipping Wgt.	UPC
PC2010M	20A	125/250	10	L14-20	2.9	8-15181-01321-9
PC2020M	20A	125/250	20	L14-20	4.6	8-15181-01322-6
PC2040M	20A	125/250	40	L14-20	7.8	8-15181-01323-3

- Molded male and female ends
- Rugged all-weather construction
- Locking plug and connector ends



MOLDED CORD SETS



30 AMP



GAUGE
CONDUCTORS

Model#	Amps	Rating, VAC	Length/Ft.	Config	Shipping Wgt.	UPC
PC3010M	30A	125/250	10	L14-30	4.6	8-51890-00012-6
PC3020M	30A	125/250	20	L14-30	7	8-51890-00013-3
PC3025M	30A	125/250	25	L14-30	8.25	8-15181-01050-8
PC3040M	30A	125/250	40	L14-30	13.1	8-51890-00031-7

- Molded male and female ends
- Rugged all-weather construction
- Locking plug and connector ends

MOLDED & ASSEMBLED

POWER CORDS

ASSEMBLED CORD SETS



Model#	Amps	VAC	Length/Ft.	Config	Shipping Wgt.	UPC
PC2010	20A	125/250	10	L14-20	3.2	8-51890-00010-2
PC2020	20A	125/250	20	L14-20	5.2	8-51890-00011-9
PC2025	20A	125/250	25	L14-20	7.5	8-15181-01346-2
PC2040	20A	125/250	40	L14-20	8.5	8-51890-00030-0
PC2050	20A	125/250	50	L14-20	11.2	8-15181-01347-9
PC2075	20A	125/250	75	L14-20	16.8	8-15181-01348-6
PC20100	20A	125/250	100	L14-20	20.6	8-15181-01349-3

- Assembled in the USA
- Locking plug and connector ends
- Made with UL Listed components

ASSEMBLED POWER CORDS



ASSEMBLED CORD SETS



30^{AMP}

10 GAUGE CONDUCTORS

Model#	Amps	Rating, VAC	Length/Ft.	Config	Shipping Wgt.	UPC
PC3010	30A	125/250	10	L14-30	4	8-15181-01350-9
PC3020	30A	125/250	20	L14-30	6.5	8-15181-01351-6
PC3025	30A	125/250	25	L14-30	8	8-15181-01352-3
PC3030	30A	125/250	30	L14-30	10.4	8-15181-01353-0
PC3040	30A	125/250	40	L14-30	11.5	8-15181-01354-7
PC3050	30A	125/250	50	L14-30	14	8-15181-01355-4
PC3075	30A	125/250	75	L14-30	23	8-15181-01356-1
PC30100	30A	125/250	100	L14-30	28	8-15181-01357-8

- Assembled in the USA
- Locking plug and connector ends
- Made with UL Listed components



ASSEMBLED CORD SETS



30^{AMP}

10 GAUGE CONDUCTORS

Model#	Amps	Rating, VAC	Length/Ft.	Config	Shipping Wgt.	UPC
PC3110	30A	125	10	L5-30	3.7	8-15181-01365-3
PC3120	30A	125	20	L5-30	6.3	8-15181-01204-5
PC3125	30A	125	25	L5-30	6.4	8-15181-01366-0
PC3130	30A	125	30	L5-30	7.2	8-15181-01367-7
PC3140	30A	125	40	L5-30	9.9	8-15181-01368-4
PC3150	30A	125	50	L5-30	11.5	8-15181-01369-1

- Assembled in the USA
- Locking plug and connector ends
- Made with UL Listed components

ASSEMBLED CORD SETS



AMP

50



Model#	Amps	Rating, VAC	Length/Ft.	Config	Shipping Wgt.	UPC
PC5010-14	50A	125/250	10	CS6364 / 1450 MALE	7.4	8-51890-00053-3
PC5020-14	50A	125/250	20	CS6364 / 1450 MALE	14	8-15181-01043-0
PC5025-14	50A	125/250	25	CS6364 / 1450 MALE	17.3	8-15181-01363-9
PC5040-14	50A	125/250	40	CS6364 / 1450 MALE	27.2	8-15181-01044-7
PC5050-14	50A	125/250	50	CS6364 / 1450 MALE	33.8	8-15181-01364-6

- Assembled in the USA
- Straight-blade plug with locking connector ends
- Made with UL Listed components

ASSEMBLED CORD SETS



AMP

50



Model#	Amps	Rating, VAC	Length/Ft.	Config	Shipping Wgt.	UPC
PC5010	50A	125/250	10	CS6364 / CS6365	7.4	8-15181-01358-5
PC5020	50A	125/250	20	CS6364 / CS6365	14	8-15181-01359-2
PC5025	50A	125/250	25	CS6364 / CS6365	17.3	8-15181-01360-8
PC5040	50A	125/250	40	CS6364 / CS6365	27.2	8-15181-01361-5
PC5050	50A	125/250	50	CS6364 / CS6365	33.8	8-15181-01362-2

- Assembled in the USA
- Locking plug and connector ends
- Made with UL Listed components



PLUGS, CONNECTORS & INLETS



Model#	Amps	VAC	Config	Connection Type	Shipping Wgt.	UPC
L1420C	20A	125/250	L14-20	Female Connector	0.4	8-51890-00042-3
L1420P	20A	125/250	L14-20	Male Plug	0.4	8-51890-00043-0
L1420F	20A	125/250	L14-20	Flanged Inlet	0.4	8-51890-00058-4



PLUGS, CONNECTORS & INLETS



Model#	Amps	VAC	Config	Connection Type	Shipping Wgt.	UPC
L1430C	30A	125/250	L14-30	Female Connector	0.4	8-51890-00044-7
L1430P	30A	125/250	L14-30	Male Plug	0.4	8-51890-00045-4
L1430F	30A	125/250	L14-30	Flanged Inlet	0.4	8-51890-00009-6



PLUGS, CONNECTORS & INLETS



Model#	Amps	VAC	Config	Connection Type	Shipping Wgt.	UPC
L530C	30A	125	L5-30	Female Connector	0.4	8-15181-01203-8
L530P	30A	125	L5-30	Male Plug	0.4	8-15181-01201-4
L530F	30A	125	L5-30	Flanged Inlet	0.4	8-15181-01370-7

PLUGS, CONNECTORS & INLETS



AMP

50



Model#	Amps	Rating, VAC	Config	Connection Type	Shipping Wgt.	UPC
LL550P	50A	125/250	CS6365	Male Plug	0.7	8-51890-00027-0
LL550C	50A	125/250	CS6364	Female Connector	0.7	8-51890-00020-1
LL550F	50A	125/250	CS6375	Flanged Inlet	0.7	8-15181-01372-1

PLUGS, CONNECTORS & INLETS

STRAIGHT
BLADE 



AMP

50



Model#	Amps	Rating, VAC	Config	Connection Type	Shipping Wgt.	UPC
1450P	50A	125/250	14-50	Male Plug	0.9	8-15181-01169-7
1450C	50A	125/250	14-50	Female Connector	0.9	8-15181-01170-3
1450FC	50A	125/250	14-50	Flanged Outlet with Flip Lid	0.9	8-15181-01174-1
1450FP	50A	125/250	14-50	Flanged Inlet with Flip Lid	0.9	8-15181-01173-4
1450RP	50A	125/250	14-50	Right-Angle Plug	0.9	8-15181-01171-0
1450RC	50A	125/250	14-50	Right-Angle Connector	0.9	8-15181-01172-7

A stylized lightning bolt graphic in a lighter blue color, positioned behind the 'PANEL/LINK' text.

PANEL/LINK[®]

MANUAL TRANSFER PANELS & GENERATOR-READY LOAD CENTERS

Heavy-duty manual transfer equipment for portable generators to 30kw.

NO POWER? NO PROBLEM!

WE'VE GOT YOU LINKED UP

GENERATOR-READY LOAD CENTERS



TCA SERIES

MANUAL TRANSFER PANELS

The **Panel/Link TCA** circuit breaker combinations of 30A-125A utility and 30A-100A generator. The interlinked circuit breakers keep the generator isolated from the utility at all times, even with the dead front removed. The TCA features a heavy-duty bus. The TCA is suitable for service entrance and may be used as a main panel for a single load or to feed a sub-panel. Available in indoor and outdoor enclosures, the TCA has no provisions for branch circuit breakers.

UTILITY
30^{AMP} - 125^{AMP}

GENERATOR
30^{AMP} - 100^{AMP}



TCA - INDOOR



Model#	Max. Utility Input Amps	Max. Gen. Input Amps	Gen. Power Inlet Included	Watt Meters Included	UPC
TCA0503D	50	30	No	No	8-15181-01627-2
TCA0505D	50	50	No	No	8-15181-01428-5
TCA0603D	60	30	No	No	8-15181-01430-8
TCA0606D	60	60	No	No	8-51890-00021-8
TCA1003D	100	30	No	No	8-15181-01433-9
TCA1005D	100	50	No	No	8-15181-01435-3
TCA1006D	100	60	No	No	8-51890-00039-3
TCA1010D	100	100	No	No	8-15181-01437-7

Dimensions: 13.25”h x 11.38”w x 3.94”d Shipping Weight: 12lbs.

2-POLE PANEL/LINK

TRANSFER PANELS

TCA - OUTDOOR

POWDER COATED
STEEL **PC**

NEMA 3R
Rated

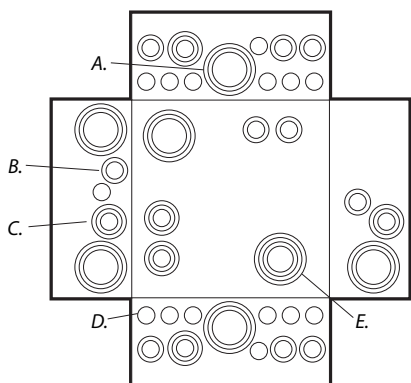


2-POLE PANEL/LINK TRANSFER PANELS

Model#	Max. Utility Input Amps	Max. Gen. Input Amps	Gen. Power Inlet Included	Watt Meters Included	UPC
TCA0503DR	50	30	No	NO	8-15181-01427-8
TCA0505DR	50	50	No	NO	8-15181-01429-2
TCA0603DR	60	30	No	NO	8-15181-01431-5
TCA0605DR	60	50	No	NO	8-15181-01432-2
TCA0606DR	60	60	No	NO	8-51890-00022-5
TCA1003DR	100	30	No	NO	8-15181-01434-6
TCA1005DR	100	50	No	NO	8-15181-01436-0
TCA1006DR	100	60	No	NO	8-51890-00023-2
TCA1010DR	100	100	No	NO	8-15181-01438-4

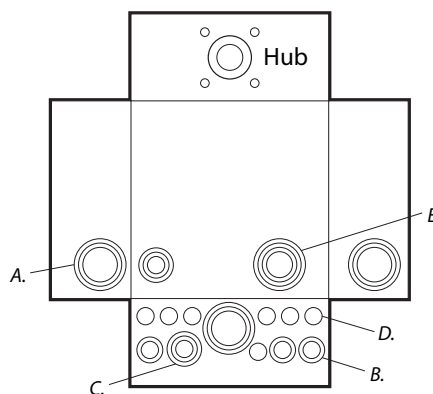
Dimensions: 13.25"h x 11.38"w x 3.94"d Shipping Weight: 12lbs.

TCA SERIES KNOCKOUT PATTERNS



Indoor TCA Series

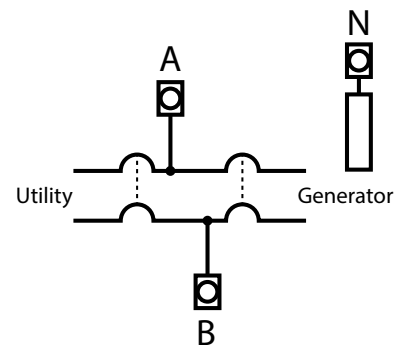
- A. 6 K.O.s for 1", 1.25", 1.5" Conduit
- B. 10 K.O.s for .5", .75" Conduit
- C. 6 K.O.s for 5", .75", 1" Conduit
- D. 15 K.O.s for .5" Conduit
- E. 1 K.O.s for .75", 1", 1.25", 1.5" Conduit



Outdoor TCA Series

- A. 3 K.O.s for 1", 1.25", 1.5" Conduit
- B. 3 K.O.s for .5", .75" Conduit
- C. 2 K.O.s for 5", .75", 1" Conduit
- D. 7 K.O.s for .5" Conduit
- E. 1 K.O.s for .75", 1", 1.25", 1.5" Conduit

TCA SERIES WIRING DIAGRAM



Above models are UL listed for the following branch circuit breakers: Siemens Type QP, QT, QPH, HQP, QPH, QPHF, QFP, QE, QEH; Square D Series HOM 100A Max. Murry Type MP; C-H/Westinghouse Series BD, BR, BQ, GFC 100A Max.



TRB SERIES

MANUAL TRANSFER PANELS

The Panel/Link TRB offers circuit breaker combinations of 30A - 125A utility and 30A - 125A generator. Interlinked circuit breakers keep the generator isolated from the utility at all times, even with the deadfront removed. The TRB features a heavy-duty copper bus. Suitable for service entrance, the TRB may be used as a main panel or a sub-panel. The TRB is available in indoor and outdoor enclosures and has provision for 4/8 branch circuits.

UTILITY
30^{AMP} - 125^{AMP}

GENERATOR
30^{AMP} - 125^{AMP}



TRB - INDOOR



Model#	Max. Utility Input Amps	Max. Gen. Input Amps	Gen. Power Inlet Included	Watt Meters Included	UPC
TRB0303A	30	30	Yes	Yes	8-15181-01439-1
TRB0303C	30	30	No	Yes	8-15181-01440-7
TRB0303D	30	30	No	No	8-15181-01441-4
TRB0603A	60	30	Yes	Yes	8-15181-01442-1
TRB0603C	60	30	No	Yes	8-15181-01443-8
TRB0603D	60	30	No	No	8-15181-01445-2
TRB0605A	60	50	Yes	Yes	8-15181-01447-6
TRB0605C	60	50	No	Yes	8-15181-01448-3
TRB0605D	60	50	No	No	8-15181-01450-6
TRB0606C	60	60	No	Yes	8-15181-01452-0
TRB0606D	60	60	No	No	8-15181-01454-4
TRB1003A	100	30	Yes	Yes	8-51890-00046-1
TRB1003C	100	30	No	Yes	8-15181-01456-8
TRB1003D	100	30	No	No	8-15181-01458-2
TRB1005A	100	50	Yes	Yes	8-15181-01460-5
TRB1005C	100	50	No	Yes	8-15181-01049-2
TRB1005D	100	50	No	No	8-15181-01462-9
TRB1006C	100	60	No	Yes	8-15181-01464-3
TRB1006D	100	60	No	No	8-51890-00094-2
TRB1010D	100	100	No	No	8-15181-01467-4
TRB1203D	125	30	No	No	8-15181-01719-4
TRB1205D	125	50	No	No	8-15181-01720-0
TRB1206D	125	60	No	No	8-15181-01721-7
TRB1210D	125	100	No	No	8-15181-01722-4
TRB1212D	125	125	No	No	8-15181-01723-1

Dimensions: 14.75"h x 12.38"w x 3.88"d Shipping Weight: 15lbs.

2-POLE PANEL/LINK

TRANSFER PANELS

TRB - OUTDOOR

POWDER COATED
STEEL **PC**

NEMA 3R
Rated

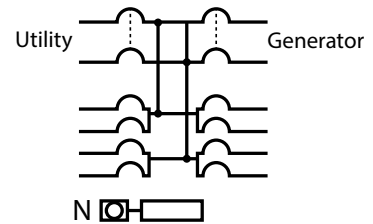
4/8
CIRCUITS

M
METAL



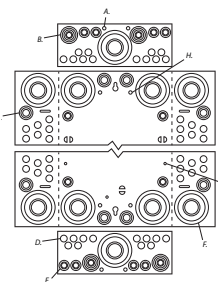
Model#	Max. Utility Input Amps	Max. Gen. Input Amps	Gen. Power Inlet Included	Watt Meters Included	UPC
TRB0603CR	60	30	No	Yes	8-15181-01444-5
TRB0603DR	60	30	No	No	8-15181-01446-9
TRB0605CR	60	50	No	Yes	8-15181-01449-0
TRB0605DR	60	50	No	No	8-15181-01451-3
TRB0606CR	60	60	No	Yes	8-15181-01453-7
TRB0606DR	60	60	No	No	8-15181-01455-1
TRB1003CR	100	30	No	Yes	8-15181-01457-5
TRB1003DR	100	30	No	No	8-15181-01459-9
TRB1005CR	100	50	No	Yes	8-15181-01461-2
TRB1005DR	100	50	No	No	8-15181-01463-6
TRB1006CR	100	60	No	Yes	8-15181-01465-0
TRB1006DR	100	60	No	No	8-15181-01466-7
TRB1010DR	100	100	No	No	8-15181-01468-1
TRB1203DR	125	30	No	No	815181017248
TRB1205DR	125	50	No	No	815181017255
TRB1206DR	125	60	No	No	815181017262
TRB1210DR	125	100	No	No	815181017279
TRB1212DR	125	125	No	No	815181017286

TRB SERIES WIRING DIAGRAM



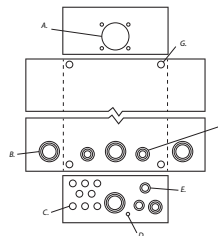
Dimensions: 14.75" h x 12.13" w x 4.25" d Shipping Weight: 16lbs.

TRB SERIES KNOCKOUT PATTERNS



Indoor TRB Series

- A. 4 K.O.s for .25" Conduit
- B. 2 K.O.s for .38", .5", .75", 1", 1.25" Conduit
- C. 10 K.O.s for .5", .75", 1" Conduit
- D. 52 K.O.s for .5" Conduit
- E. 12 K.O.s for .38", .5", .75", Conduit
- F. 10 K.O.s for 1", 1.25", 2", 2.5" Conduit
- G. 3 K.O.s for 1.75" Ground Bar Mounting
- H. Mounting Hole (4 places)



Outdoor TRB Series

- A. HS Type Hub Opening (Max. 2" Conduit)
- B. 4 K.O.s for 1", 1.25", 1.5" Conduit
- C. 8 K.O.s for .5" Conduit
- D. 1 K.O. .25"
- E. 2 K.O.s for .5", .75" Conduit
- F. 3 K.O.s for .5", .75", 1" Conduit
- G. Embossed .5" Mounting Hole (4 places)



Above models are UL listed for the following branch circuit breakers: Siemens Type QP, QT, QPH, HQP, QPH, QPHF, QFP, QE, QEH; Square D Series HOM 100A Max. Murry Type MP; C-H/Westinghouse Series BD, BR, BQ, GFC 100A Max.




TRH SERIES

MANUAL TRANSFER PANELS

The **Panel/Link TRH** offers circuit breaker combinations of 30A - 60A utility and 30A - 60A generator. Interlinked circuit breakers keep the generator isolated from the utility at all times, even with the deadfront removed. The TRH features a heavy-duty copper bus. The TRH is available in indoor and outdoor enclosures and has provision for 8 branch circuits.

 UTILITY
30^{AMP} - 60^{AMP}

 GENERATOR
30^{AMP} - 60^{AMP}



TRH - INDOOR

M
METAL

8/16
CIRCUITS

PC POWDER COATED
STEEL

Model#	Max. Utility Input Amps	Max. Gen. Input Amps	Gen. Power Inlet Included	Watt Meters Included	UPC
TRH0303C	30	30	No	Yes	8-15181-01628-9
TRH0303D	30	30	No	No	8-15181-01629-6
TRH0503C	50	50	No	Yes	8-15181-01630-2
TRH0503D	50	50	No	No	8-15181-01631-9
TRH0505C	50	50	No	Yes	8-15181-01632-6
TRH0505D	50	50	No	No	8-15181-01633-3
TRH0603C	60	30	No	Yes	8-15181-01505-3
TRH0603D	60	30	No	No	8-15181-01635-7
TRH0605C	60	50	No	Yes	8-15181-01636-4
TRH0605D	60	50	No	No	8-15181-01637-1
TRH0606C	60	60	No	Yes	8-15181-01729-3
TRH0606D	60	60	No	No	8-15181-01638-8

Dimensions: 11.75"h x 10.25"w x 3.38"d

2-POLE PANEL/LINK

TRANSFER PANELS

TRH - OUTDOOR

POWDER COATED STEEL **PC**

NEMA 3R
Rated

8/16
CIRCUITS

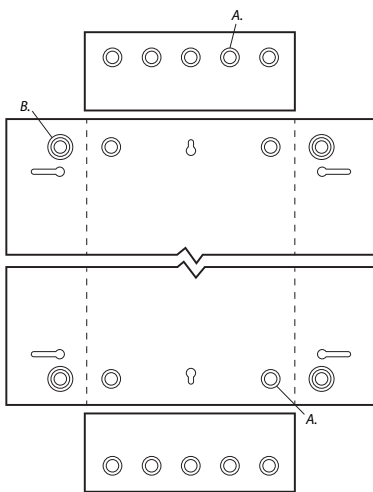
M
METAL

Model#	Max. Utility Input Amps	Max. Gen. Input Amps	Gen. Power Inlet Included	Watt Meters Included	UPC
TRH0303DR	30	30	No	No	8-15181-01639-5
TRH0503DR	50	30	No	No	8-15181-01640-1
TRH0505DR	50	50	No	No	8-15181-01641-8
TRH0603DR	60	30	No	No	8-15181-01642-5
TRH0605DR	60	50	No	No	8-15181-01643-2
TRH0606DR	60	60	No	No	8-15181-01644-9

Dimensions: 11.75" h x 10.25" w x 3.38" d

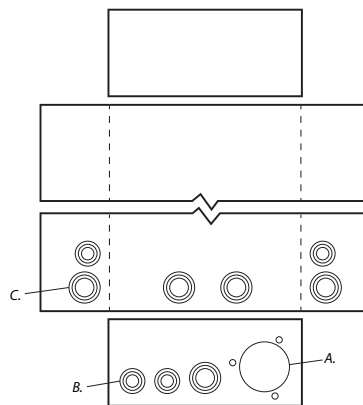
2-POLE PANEL/LINK TRANSFER PANELS

TRH SERIES KNOCKOUT PATTERNS



Indoor TRH Series

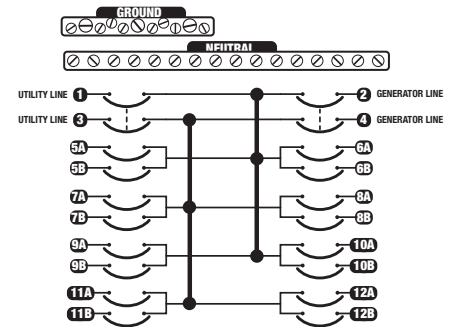
- A. 14 K.O.s for .5", .75" Conduit
- B. 4 K.O.s for .5", .75", 1" Conduit



Outdoor TRH Series

- A. Opening for RCC Flanged Inlets
- B. 4 K.O.s for .5", .75", 1" Conduit
- C. 5 K.O.s for .75", 1", 1.25" Conduit

TRH SERIES WIRING DIAGRAM



Above models are UL listed for the following branch circuit breakers: Siemens Type QP, QT, QPH, HQP, QPH, QPHF, QFP, QE, QEH; Square D Series HOM 100A Max. Murry Type MP; C-H/Westinghouse Series BD, BR, BQ, GFC 100A Max.




TRK SERIES

MANUAL TRANSFER PANELS

The **Panel/Link TRK** offers circuit breaker combinations of 30A - 100A utility and 30A - 60A generator. Interlinked circuit breakers keep the generator isolated from the utility at all times, even with the deadfront removed. The TRK features a heavy-duty copper bus. The TRK is available in indoor and outdoor enclosures and has provision for 12 branch circuits.

 UTILITY
30^{AMP} - 100^{AMP}

 GENERATOR
30^{AMP} - 60^{AMP}



TRK - INDOOR

M
METAL

12/20
CIRCUITS

Pc POWDER COATED
STEEL

Model#	Max. Utility Input Amps	Max. Gen. Input Amps	Gen. Power Inlet Included	Watt Meters Included	UPC
TRK0303C	30	30	No	Yes	8-15181-01645-6
TRK0303D	30	30	No	No	8-15181-01646-3
TRK0503C	50	50	No	Yes	8-15181-01647-0
TRK0503D	50	50	No	No	8-15181-01648-7
TRK0505C	50	50	No	Yes	8-15181-01649-4
TRK0505D	50	50	No	No	8-15181-01650-0
TRK0603C	60	30	No	Yes	8-15181-01506-0
TRK0603D	60	30	No	No	8-15181-01651-7
TRK0605C	60	50	No	Yes	8-15181-01652-4
TRK0605D	60	60	No	No	8-15181-01653-1
TRK0606C	60	60	No	Yes	8-15181-01730-9
TRK0606D	60	60	No	No	8-15181-01654-8
TRK1003C	100	30	No	Yes	8-15181-01655-5
TRK1003D	100	30	No	No	8-15181-01656-2
TRK1005C	100	50	No	Yes	8-15181-01657-9
TRK1005D	100	50	No	No	8-15181-01658-6
TRK1006C	100	60	No	Yes	8-15181-01731-6
TRK1006D	100	60	No	No	8-15181-01659-3

Dimensions: 15.75"h x 12.38"w x 3.38"d

2-POLE PANEL/LINK

TRANSFER PANELS

TRK - OUTDOOR



NEMA 3R
Rated

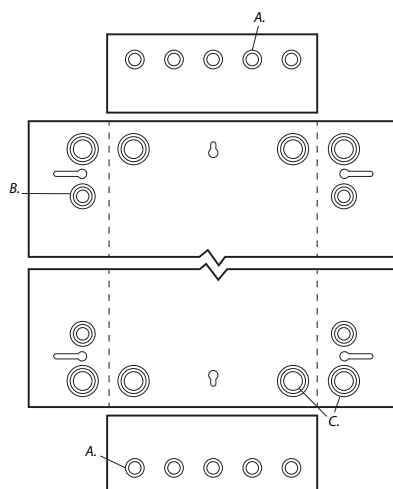
12/20
CIRCUITS



Model#	Max. Utility Input Amps	Max. Gen. Input Amps	Gen. Power Inlet Included	Watt Meters Included	UPC
TRK0303DR	30	30	No	No	8-15181-01660-9
TRK0503DR	50	50	No	No	8-15181-01661-6
TRK0505DR	50	50	No	No	8-15181-01662-3
TRK0603DR	60	30	No	No	8-15181-01663-0
TRK0606DR	60	60	No	No	8-15181-01664-7
TRK1003DR	100	30	No	No	8-15181-01665-4
TRK1005DR	100	50	No	No	8-15181-01666-1
TRK1006DR	100	60	No	No	8-15181-01667-8

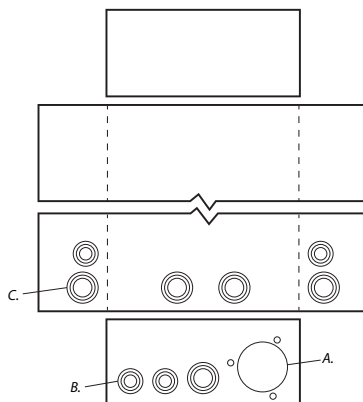
Dimensions: 15.75"h x 12.38"w x 3.38"d

TRK SERIES KNOCKOUT PATTERNS



Indoor TRK Series

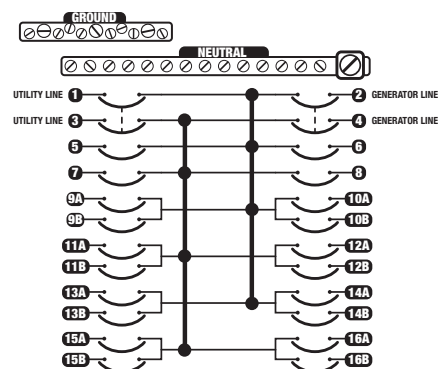
- A. 10 K.O.s for .5", .75" Conduit
- B. 4 K.O.s for .5", .75", 1" Conduit
- C. 4 K.O.s for .75", 1", 1.25" Conduit



Outdoor TRK Series

- A. Opening for RCC Flanged Inlets
- B. 4 K.O.s for .5", .75", 1" Conduit
- C. 5 K.O.s for .75", 1", 1.25" Conduit

TRK SERIES WIRING DIAGRAM



Above models are UL listed for the following branch circuit breakers: Siemens Type QP, QT, QPH, HQP, QPH, QPHF, QFP, QE, QEH; Square D Series HOM 100A Max. Murry Type MP; C-H/Westinghouse Series BD, BR, BQ, GFC 100A Max.



TTH SERIES

MANUAL TRANSFER PANELS

The **Panel/Link TTH** includes a 200A utility main breaker and a 30A - 125A generator breaker. The circuit breakers are interlinked to keep the generator isolated from the utility at all times, even with the deadfront removed. The TTH features a heavy-duty copper bus. The TTH is designed as a stand-alone, generator-ready load center and is suitable for service entrance. Available in indoor and outdoor enclosures, the TTH has provision for 16/32 branch circuits. Power Inlet not included.

UTILITY
200^{AMP}

GENERATOR
30-125^{AMP}



TTH - INDOOR



Model#	Max. Utility Input Amps	Max. Gen. Input Amps	Gen. Power Inlet Included	Watt Meters Included	UPC
TTH2003C	200	30	No	Yes	8-15181-01533-6
TTH2003D	200	30	No	No	8-15181-01534-3
TTH2005C	200	50	No	Yes	8-15181-01536-7
TTH2005D	200	50	No	No	8-15181-01537-4
TTH2006C	200	60	No	Yes	8-15181-01539-8
TTH2006D	200	60	No	No	8-15181-01540-4
TTH2010D	200	100	No	No	8-15181-01542-8
TTH2012D	200	125	No	No	8-15181-01544-2

Dimensions: 30"h x 14.38"w x 3.94"d

2-POLE PANEL/LINK

TRANSFER PANELS

2-POLE PANEL/LINK TRANSFER PANELS

TTH - OUTDOOR

POWDER COATED STEEL **PC**

NEMA 3R
Rated

16/32
CIRCUITS

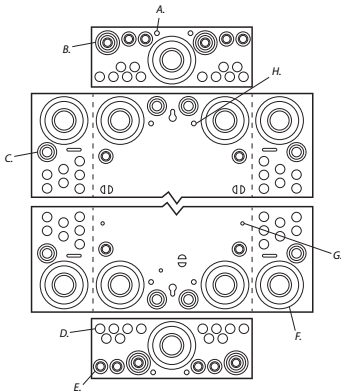
M
METAL



Model#	Max. Utility Input Amps	Max. Gen. Input Amps	Gen. Power Inlet Included	Watt Meters Included	UPC
TTH2003DR	200	30	No	No	8-15181-01535-0
TTH2005DR	200	50	No	No	8-15181-01538-1
TTH2006DR	200	60	No	No	8-15181-01541-1
TTH2010DR	200	100	No	No	8-15181-01543-5
TTH2012DR	200	125	No	No	8-15181-01545-9

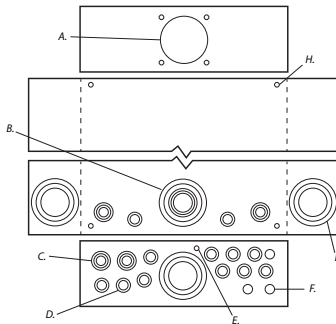
Dimensions: 33"h x 14.38"w x 3.94"d

TTH SERIES KNOCKOUT PATTERNS



Indoor TTH Series

- A. 4 K.O.s for .25" Conduit
- B. 2 K.O.s for .38", .5", .75", 1", 1.25" Conduit
- C. 10 K.O.s for .5", .75", 1" Conduit
- D. 52 K.O.s for .5" Conduit
- E. 12 K.O.s for .38", .5", .75", Conduit
- F. 10 K.O.s for 1", 1.25", 2", 2.5" Conduit
- G. 3 K.O.s for 1.75" Ground Bar Mounting
- H. Mounting Hole (4 places)

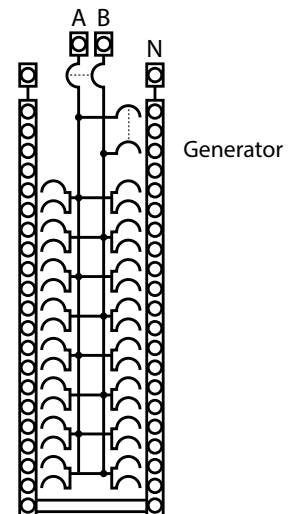


Outdoor TTH Series

- A. HS Type Hub Opening (Max. 2.5" Conduit)
- B. 1 K.O.s for 1", 1.25", 1.5", 2", 2.5" Conduit
- C. 4 K.O.s for 5", .75", 1" Conduit
- D. 12 K.O.s for .5", .75" Conduit
- E. 1 K.O. .25"
- F. 3 K.O.s for .5" Conduit
- G. 3 K.O.s for 1.5", 2", 2.5" Conduit
- H. Embossed .5" Mounting Hole (4 places)

TTH SERIES WIRING DIAGRAM

Main Breaker Utility



Above models are UL listed for the following branch circuit breakers: Siemens Type QP, QT, QPH, HQP, QPH, QPHF, QFP, QE, QEH; Square D Series HOM 100A Max. Murry Type MP; C-H/Westinghouse Series BD, BR, BQ, GFC 100A Max.



TTR SERIES

MANUAL TRANSFER PANELS

The Panel/Link TTR includes a 150A - 200A utility main breaker and a 30A - 125A generator breaker. The circuit breakers are interlinked to keep the generator isolated from the utility at all times, even with the deadfront removed. The TTR features a heavy-duty copper bus. The TTR is suitable for service entrance and designed as a stand-alone, generator-ready load center. Available in indoor and outdoor enclosures, the TTR has provision for 26 branch circuits.

UTILITY
150-200 AMP

GENERATOR
30-125 AMP



TTR - INDOOR

M
METAL

26
CIRCUITS

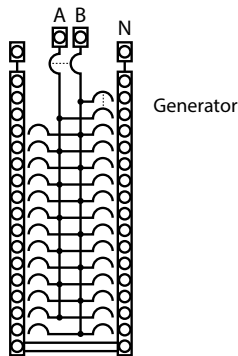
PC POWDER COATED
STEEL

Model#	Max. Utility Input Amps	Max. Gen. Input Amps	Gen. Power Inlet Included	Watt Meters Included	UPC
TTR2003C	200	30	No	Yes	8-15181-01546-6
TTR2003D	200	30	No	No	8-15181-01547-3
TTR2005C	200	50	No	Yes	8-15181-01548-0
TTR2005D	200	50	No	No	8-15181-01549-7
TTR2006C	200	60	No	Yes	8-15181-01732-3
TTR2006D	200	60	No	No	8-15181-01550-3
TTR2010D	200	100	No	No	8-15181-01551-0
TTR2012D	200	125	No	No	8-15181-01552-7

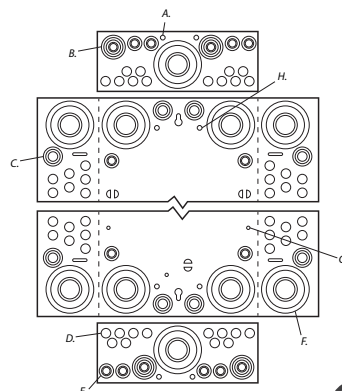
Dimensions: 33"h x 14.38"w x 3.94"d

TTR SERIES WIRING DIAGRAM

Main Breaker Utility



TTR SERIES KNOCKOUT PATTERNS



Indoor TTR Series

- A. 4 K.O.s for .25" Conduit
- B. 2 K.O.s for .38", .5", .75", 1", 1.25" Conduit
- C. 10 K.O.s for .5", .75", 1" Conduit
- D. 52 K.O.s for .5" Conduit
- E. 12 K.O.s for .38", .5", .75" Conduit
- F. 10 K.O.s for 1", 1.25", 2", 2.5" Conduit
- G. 3 K.O.s for 1.75" Ground Bar Mounting
- H. Mounting Hole (4 places)

Above models are UL listed for the following branch circuit breakers: Siemens Type QP, QT, QPH, HQP, QPH, QPHF, QFP, QE, QEH; Square D Series HOM 100A Max. Murry Type MP; C-H/Westinghouse Series BD, BR, BQ, GFC 100A Max.



2-POLE PANEL/LINK

TRANSFER PANELS

TWB SERIES

MANUAL TRANSFER PANELS

The **Panel/Link TWB** includes a 150A - 200A main circuit breaker interlinked with a 30A - 125A generator circuit breaker feeding a heavy-duty copper bus with feed-through lugs. The interlinked circuit breakers keep the generator isolated from the utility at all times, even with the deadfront removed. The TWB is suitable for service entrance and may be used as main panel or feed-through to a sub-panel or main panel. The TWB has provisions for 4/8 branch circuits and is ideal for applications requiring the entire service panel to be available for generator power.

UTILITY
150^{AMP}-200^{AMP}

GENERATOR
30^{AMP}-125^{AMP}

2-POLE PANEL/LINK TRANSFER PANELS



TWB - OUTDOOR

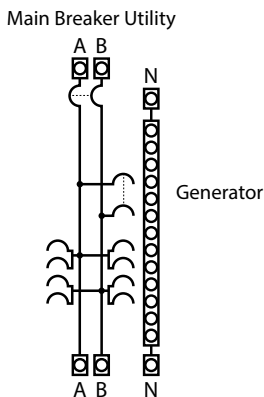


NEMA 3R
Rated



Model#	Max. Utility Input Amps	Max. Gen. Input Amps	Gen. Power Inlet Included	Watt Meters Included	UPC
TWB1503DR	150	30	No	No	8-15181-01577-0
TWB1505DR	150	50	No	No	8-15181-01042-3
TWB1506DR	150	60	No	No	8-15181-01578-7
TWB1510DR	150	100	No	No	8-15181-01579-4
TWB1512DR	150	125	No	No	8-15181-01580-0
TWB2003DR	200	30	No	No	8-15181-01581-7
TWB2005DR	200	50	No	No	8-15181-01583-1
TWB2006DR	200	60	No	No	8-15181-01028-7
TWB2010DR	200	100	No	No	8-15181-01586-2
TWB2012DR	200	125	No	No	8-15181-01064-5

TWB SERIES WIRING DIAGRAM



Dimensions: 42.5"h x 17.5"w x 6"d

Shipping Weight: 45lbs.



Above models are UL listed for the following branch circuit breakers: Siemens Type QP, QT, QPH, HQP, QPH, QPHF, QFP, QE, QEH; Square D Series HOM 100A Max. Murrey Type MP; C-H/Westinghouse Series BD, BR, BQ, GFC 100A Max.



TTV SERIES

MANUAL TRANSFER PANELS

The **Panel/Link TTV** includes a 150A - 200A main circuit breaker interlinked and a 30A - 125A generator circuit breaker. The interlinked circuit breakers keep the generator isolated from the utility at all times, even with the cover or deadfront removed. The TTV features a heavy-duty copper bus. The TTV is suitable for service entrance and provides for 36 branch circuits. Dual wattmeters, for balancing generator load, are optional.

UTILITY
150^{AMP}-200^{AMP}

GENERATOR
30^{AMP}-125^{AMP}



TTV - INDOOR



Model#	Max. Utility Input Amps	Max. Gen. Input Amps	Gen. Power Inlet Included	Watt Meters Included	UPC
TTV1503C	150	30	No	Yes	8-15181-01634-0
TTV1503D	150	30	No	No	8-15181-01554-1
TTV1505C	150	50	No	Yes	8-15181-01553-4
TTV1505D	150	50	No	No	8-15181-01554-1
TTV2003C	200	30	No	Yes	8-15181-01030-0
TTV2003D	200	30	No	No	8-15181-01557-2
TTV2005C	200	50	No	Yes	8-15181-01069-0
TTV2005D	200	50	No	No	8-15181-01562-6
TTV2006C	200	60	No	Yes	8-51890-00080-5
TTV2006D	200	60	No	No	8-15181-01029-4
TTV2010D	200	100	No	No	8-15181-01034-8
TTV2012D	200	125	No	No	8-15181-01573-2

Dimensions: 39"h x 14.38"w x 3.94"d

Shipping Weight: 45lbs.

2-POLE PANEL/LINK

TRANSFER PANELS

2-POLE PANEL/LINK TRANSFER PANELS

TTV - OUTDOOR



NEMA 3R
Rated



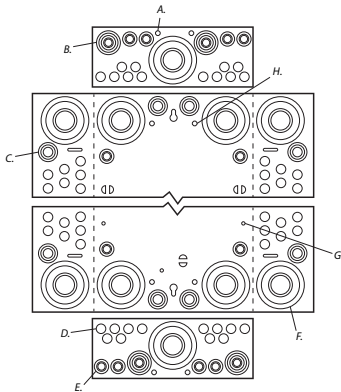
Model#	Max. Utility Input Amps	Max. Gen. Input Amps	Gen. Power Inlet Included	Watt Meters Included	UPC
TTV1505DR	150	50	No	No	8-15181-01555-8
TTV2003DR	200	30	No	No	8-15181-01559-6
TTV2005DR	200	50	No	No	8-15181-01564-0
TTV2006DR	200	60	No	No	8-15181-01568-8
TTV2010DR	200	100	No	No	8-15181-01571-8
TTV2012DR	200	125	No	No	8-15181-01575-6

Dimensions: 40" h x 14.25" w x 4.5" d

Shipping Weight: 45lbs.

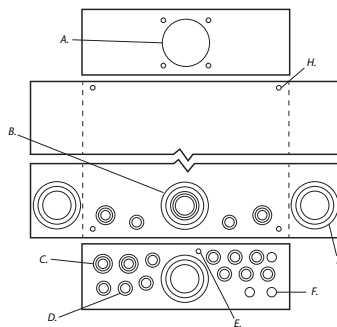


TTV SERIES KNOCKOUT PATTERNS



Indoor TTV Series

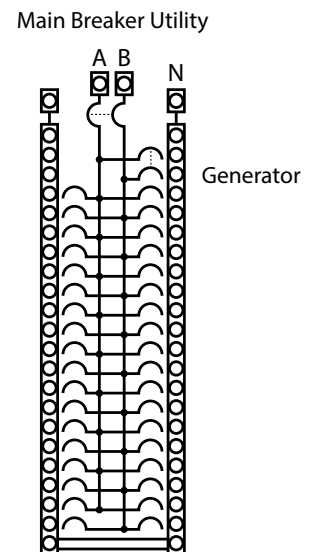
- A. 4 K.O.s for .25" Conduit
- B. 2 K.O.s for .38", .5", .75", 1", 1.25" Conduit
- C. 10 K.O.s for .5", .75", 1" Conduit
- D. 52 K.O.s for .5" Conduit
- E. 12 K.O.s for .38", .5", .75", Conduit
- F. 10 K.O.s for 1", 1.25", 2", 2.5" Conduit
- G. 3 K.O.s for 1.75" Ground Bar Mounting
- H. Mounting Hole (4 places)



Outdoor TTV Series

- A. HS Type Hub Opening (Max. 2.5" Conduit)
- B. 1 K.O.s for 1", 1.25", 1.5", 2", 2.5" Conduit
- C. 4 K.O.s for 5", .75", 1" Conduit
- D. 12 K.O.s for .5", .75" Conduit
- E. 1 K.O. .25"
- F. 3 K.O.s for .5" Conduit
- G. 3 K.O.s for 1.5", 2", 2.5" Conduit
- H. Embossed .5" Mounting Hole (4 places)

TTV SERIES WIRING DIAGRAM



Above models are UL listed for the following branch circuit breakers: Siemens Type QP, QT, QPH, HQP, QPH, QPHF, QFP, QE, QEH; Square D Series HOM 100A Max. Murry Type MP; C-H/Westinghouse Series BD, BR, BQ, GFC 100A Max.



PANEL/LINK[®]
XSERIES

MANUAL TRANSFER PANELS

3-POLE TRANSFER PANELS

The Reliance **Panel/Link X Series** is a double-pole manual transfer switch with an exclusive third-pole for the neutral that switches sequentially. The X Series is perfect for use with generators having GFCI protected outlets, bonded neutral generators and installations requiring a separately-derived system.

On GFCI protected generators, the **X Series** will prevent a ground fault which will, in turn, prevent the circuit breakers on the generator from nuisance tripping.



XRH SERIES

MANUAL TRANSFER PANELS

The **XRH Series** has 6 branch circuit spaces and will allow up to 12 circuits with the use of tandem breakers. Options include a selection of watt meters, for balancing generator load.

UTILITY
30^{AMP} - 60^{AMP}

GENERATOR
30^{AMP} - 60^{AMP}



XRH - INDOOR

M
METAL

6/12
CIRCUITS

PC POWDER COATED
STEEL

Model#	Max. Utility Input Amps	Max. Gen. Input Amps	Gen. Power Inlet Included	Watt Meters Included	UPC
XRH0303C	30	30	No	Yes	8-15181-01668-5
XRH0303D	30	30	No	No	8-15181-01669-2
XRH0503C	50	50	No	Yes	8-15181-01670-8
XRH0503D	50	50	No	No	8-15181-01671-5
XRH0505C	50	50	No	Yes	8-15181-01672-2
XRH0505D	50	50	No	No	8-15181-01673-9
XRH0603C	60	30	No	Yes	8-15181-01674-6
XRH0603D	60	30	No	No	8-15181-01675-3
XRH0605C	60	50	No	Yes	8-15181-01676-0
XRH0605D	60	50	No	No	8-15181-01677-7
XRH0606D	60	60	No	No	8-15181-01678-4

Dimensions: 11.75"h x 10.25"w x 3.38"d

3-POLE NEUTRAL SWITCHING

TRANSFER PANELS

3-POLE NEUTRAL SWITCHING TRANSFER PANELS

XRH - OUTDOOR

POWDER COATED STEEL 

NEMA 3R
Rated

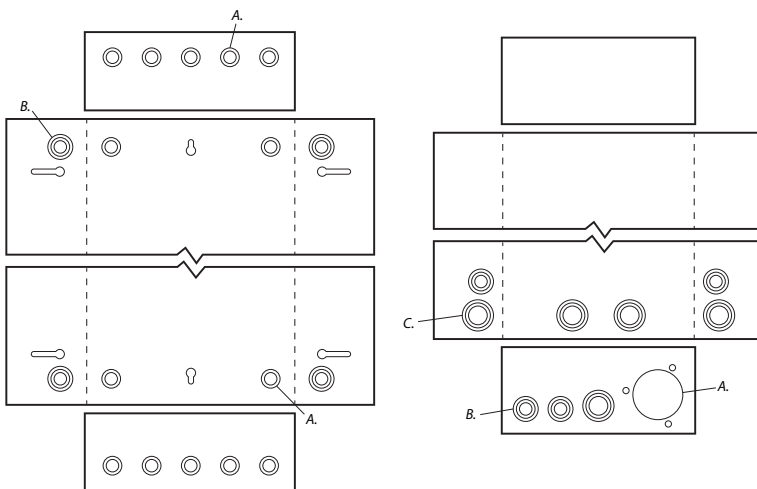
6/12
CIRCUITS

M
METAL

Model#	Max. Utility Input Amps	Max. Gen. Input Amps	Gen. Power Inlet Included	Watt Meters Included	UPC
XRH0303DR	30	30	No	No	8-15181-01679-1
XRH0503DR	50	30	No	No	8-15181-01680-7
XRH0505DR	50	50	No	No	8-15181-01681-4
XRH0603DR	60	30	No	No	8-15181-01682-1
XRH0605DR	60	50	No	No	8-15181-01683-8
XRH0606DR	60	60	No	No	8-15181-01684-5

Dimensions: 11.75" h x 10.25" w x 3.38" d

XRH SERIES KNOCKOUT PATTERNS



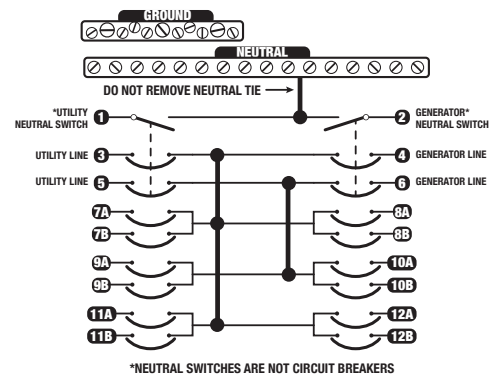
Indoor XRH Series

- A. 14 K.O.s for .5", .75" Conduit
- B. 4 K.O.s for .5", .75", 1" Conduit

Outdoor XRH Series

- A. Opening for RCC Flanged Inlets
- B. 4 K.O.s for .5", .75", 1" Conduit
- C. 5 K.O.s for .75", 1", 1.25" Conduit

XRH SERIES WIRING DIAGRAM



Above models are UL listed for the following branch circuit breakers: Siemens Type QP, QT, QPH, HQP, QPH, QPHF, QFP, QE, QEH; Square D Series HOM 100A Max. Murry Type MP; C-H/Westinghouse Series BD, BR, BQ, GFC 100A Max.



XRK SERIES

MANUAL TRANSFER PANELS

The **XRK Series** has 10 branch circuit spaces and will allow up to 18 circuits with the use of tandem breakers. Options include a selection of watt meters, for balancing generator load.

UTILITY
30^{AMP} - 100^{AMP}

GENERATOR
30^{AMP} - 60^{AMP}



XRK - INDOOR

M
METAL

10/18
CIRCUITS

PC POWDER COATED
STEEL

Model#	Max. Utility Input Amps	Max. Gen. Input Amps	Gen. Power Inlet Included	Watt Meters Included	UPC
XRK0303C	30	30	No	Yes	8-15181-01685-2
XRK0303D	30	30	No	No	8-15181-01686-9
XRK0503C	50	50	No	Yes	8-15181-01687-6
XRK0503D	50	50	No	No	8-15181-01688-3
XRK0505C	50	50	No	Yes	8-15181-01689-0
XRK0505D	50	50	No	No	8-15181-01690-6
XRK0603C	60	30	No	Yes	8-15181-01691-3
XRK0603D	60	30	No	No	8-15181-01692-0
XRK0605C	60	50	No	Yes	8-15181-01693-7
XRK0605D	60	60	No	No	8-15181-01694-4
XRK0606D	60	60	No	No	8-15181-01695-1
XRK1003C	100	30	No	Yes	8-15181-01696-8
XRK1003D	100	30	No	No	8-15181-01697-5
XRK1005C	100	50	No	Yes	8-15181-01698-2
XRK1005D	100	50	No	No	8-15181-01699-9
XRK1006D	100	60	No	No	8-15181-01700-2

Dimensions: 15.75"h x 12.38"w x 3.38"d

3-POLE NEUTRAL SWITCHING

TRANSFER PANELS

XRK - OUTDOOR

POWDER COATED STEEL **PC**

NEMA 3R
Rated

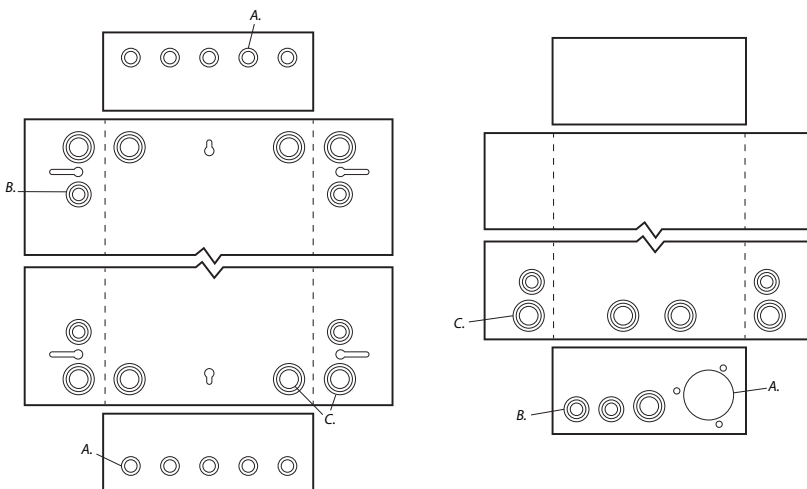
10/18
CIRCUITS

M
METAL

Model#	Max. Utility Input Amps	Max. Gen. Input Amps	Gen. Power Inlet Included	Watt Meters Included	UPC
XRK0303DR	30	30	No	No	8-15181-01701-9
XRK0503DR	50	50	No	No	8-15181-01702-6
XRK0505DR	50	50	No	No	8-15181-01703-3
XRK0603DR	60	30	No	No	8-15181-01704-0
XRK0606DR	60	60	No	No	8-15181-01705-7
XRK1003DR	100	30	No	No	8-15181-01706-4
XRK1005DR	100	50	No	No	8-15181-01707-1
XRK1006DR	100	60	No	No	8-15181-01708-8

Dimensions: 15.75"h x 12.38"w x 3.38"d

XRK SERIES KNOCKOUT PATTERNS



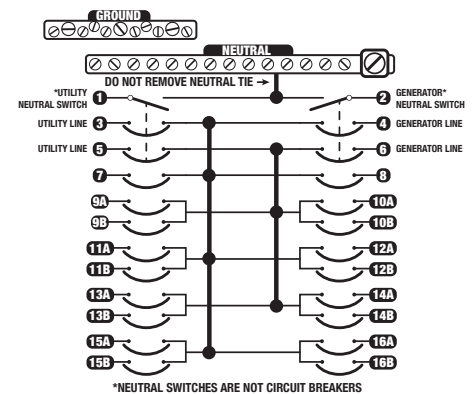
Indoor TRK Series

- A. 10 K.O.s for .5", .75" Conduit
- B. 4 K.O.s for .5", .75", 1" Conduit
- C. 4 K.O.s for .75", 1", 1.25" Conduit

Outdoor TRK Series

- A. Opening for RCC Flanged Inlets
- B. 4 K.O.s for .5", .75", 1" Conduit
- C. 5 K.O.s for .75", 1", 1.25" Conduit

XRK SERIES WIRING DIAGRAM



Above models are UL listed for the following branch circuit breakers: Siemens Type QP, QT, QPH, HQP, QPH, QPHF, QFP, QE, QEH; Square D Series HOM 100A Max. Murry Type MP; C-H/Westinghouse Series BD, BR, BQ, GFC 100A Max.



XRR SERIES

MANUAL TRANSFER PANELS

The **XRR Series** allows for 26/36 branch circuits and is available in indoor and outdoor enclosures. Options include a selection of watt meters for balancing generator load.

UTILITY
100 AMP

GENERATOR
30-100 AMP



XRR - INDOOR

M
METAL

26/36
CIRCUITS

Pc POWDER COATED
STEEL

Model#	Max. Utility Input Amps	Max. Gen. Input Amps	Gen. Power Inlet Included	Watt Meters Included	UPC
XRR1003C	100	30	No	Yes	8-15181-01709-5
XRR1003D	100	30	No	No	8-15181-01710-1
XRR1005C	100	50	No	Yes	8-15181-01711-8
XRR1005D	100	50	No	No	8-15181-01712-5
XRR1006D	100	60	No	No	8-15181-01713-2
XRR1010D	100	100	No	No	8-15181-01714-9

Dimensions: 33”h x 14.38”w x 3.94”d

Shipping Weight: 41lbs.



Above models are UL listed for the following branch circuit breakers: Siemens Type QP, QT, QPH, HQP, QPH, QPHF, QFP, QE, QEH; Square D Series HOM 100A Max. Murry Type MP; C-H/Westinghouse Series BD, BR, BQ, GFC 100A Max.

2-POLE PANEL/LINK

TRANSFER PANELS

2-POLE PANEL/LINK TRANSFER PANELS

XRR - OUTDOOR

POWDER COATED STEEL **PC**

NEMA 3R
Rated

26/36
CIRCUITS

M
METAL

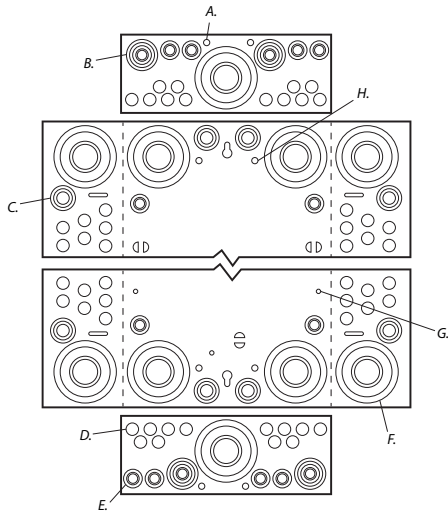
Model#	Max. Utility Input Amps	Max. Gen. Input Amps	Gen. Power Inlet Included	Watt Meters Included	UPC
XRR1003DR	100	30	No	No	8-15181-01715-6
XRR1005DR	100	50	No	No	8-15181-01716-3
XRR1006DR	100	60	No	No	8-15181-01717-0
XRR1010DR	100	100	No	No	8-15181-01718-7

Dimensions: 34"h x 14.25"w x 4.5"d

Shipping Weight: 46lbs.

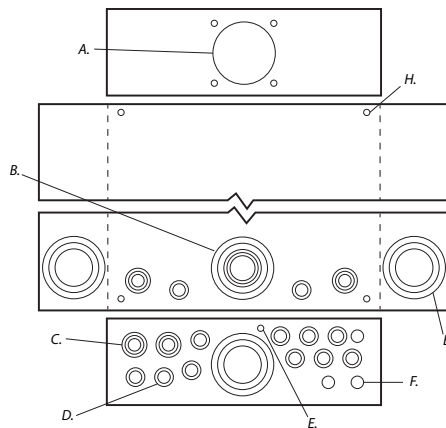


XRR SERIES KNOCKOUT PATTERNS



Indoor XRR Series

- A. 4 K.O.s for .25" Conduit
- B. 2 K.O.s for .38", .5", .75", 1", 1.25" Conduit
- C. 10 K.O.s for .5", .75", 1" Conduit
- D. 52 K.O.s for .5" Conduit
- E. 12 K.O.s for .38", .5", .75", Conduit
- F. 10 K.O.s for 1", 1.25", 2", 2.5" Conduit
- G. 3 K.O.s for 1.75" Ground Bar Mounting
- H. Mounting Hole (4 places)

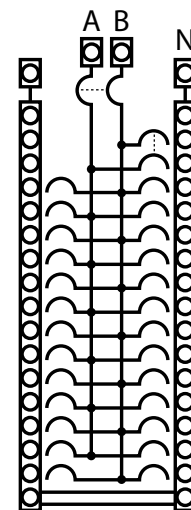


Outdoor XRR Series

- A. HS Type Hub Opening (Max. 2.5" Conduit)
- B. 1 K.O.s for 1", 1.25", 1.5", 2", 2.5" Conduit
- C. 4 K.O.s for 5", .75", 1" Conduit
- D. 12 K.O.s for .5", .75" Conduit
- E. 1 K.O. .25"
- F. 3 K.O.s for .5" Conduit
- G. 3 K.O.s for 1.5", 2", 2.5" Conduit
- H. Embossed .5" Mounting Hole (4 places)

XRR SERIES WIRING DIAGRAM

Main Breaker Utility



Generator





PK-SERIES
POWER INLET



NEMA 3R
Rated



Model#	Rating, VAC	Config	Max. Gen. Input	Dimensions (H x W x D)	Shipping Wgt.	UPC
PK20	20A @ 125/250V	L14-20	5kW	3 x 3 x 2	1	8-15181-01011-9
PK30	30A @ 125/250V	L14-30	7.5kW	3 x 3 x 2	1	8-15181-01007-2
PK50	50A @ 125/250V	CS6375	12.5kW	3 x 3 x 2.5	1	8-15181-01008-9

Suitable for installation into a 2-1/2 inch knockout on most indoor or outdoor Panel/Link transfer panels or load centers. Excludes TCA, TRB outdoor, TRH, TRK, XRH and XRK models.



RelianceControls.com